



MODEL NUMBER:

**SS400M-100**

**150W CW SS AMPLIFIER**

## SOLID STATE POWER RF AMPLIFIER

The SS400M-100 is a Solid State 150W (CW) Commercial RF Amplifier which covers frequency range from 10KHz to 400MHz. This amplifier can achieve high efficiency operation with proven reliability as is designed with the robust engineering and employment of the most advanced devices and components.

## ELECTRICAL

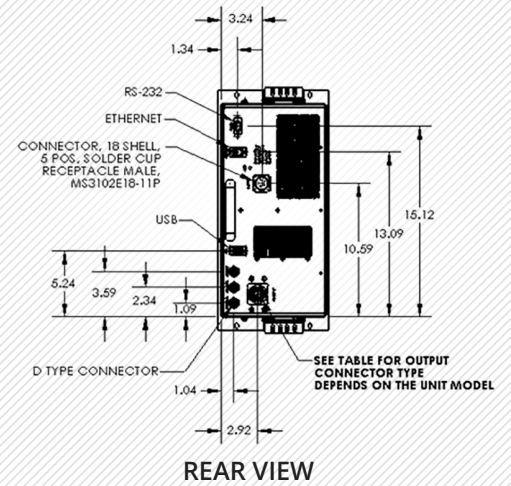
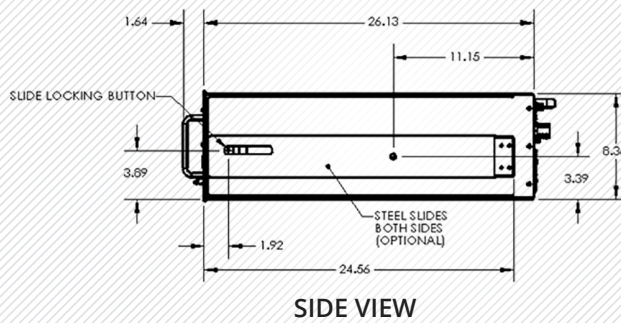
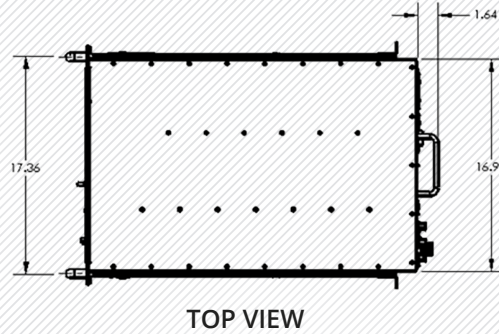
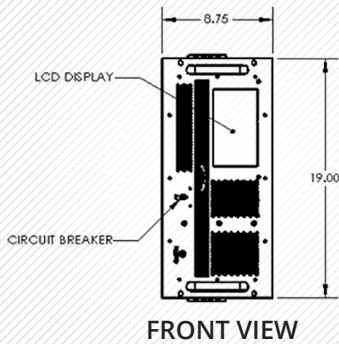
PARAMETER	SPECIFICATION
Frequency Range	10KHz-400MHz
Output Power @Psat	150W CW, Min.
Output Power @P1dB	100W Min. /125W Typ.
Internal Protection	Up to +5dBm <10 Sec without damage
Load VSWR Protection	Auto-shutdown @ VSWR > 5:1
Gain @ rated power	52dB Min.
Gain Flatness	4.0 dB p-p Max.
Input /Output Impedance	50 ohms
RF Input / Output Connectors	Type N Female Front Panel
Input Return Loss	-10 dB Max.
2-Tone Intermodulation (IMD)	<-30 dBc Typ. 42 dBm/Tone, $\Delta = 1$ MHz
Spurious	-60dBc Max.
Harmonics	-20dBc Typical @ rated power
Prime Power	100 - 240V AC
Power Consumption	1000W Max.

## MECHANICAL

PARAMETER	SPECIFICATION
Configuration	19"Racks mounts 5U 430mm W x 560mm D x 222mm H
Weight	25 Kg. Typ.
AC Power / Interface Connector	IEC 60320-C14 / 9-Pin D-Sub
Cooling System	Air cooled ,self contained
Digital Monitor & Control FWD, REV, VSWR, GAIN, ALC, V & I, TEMP	Ethernet RJ-45 TCP/IP, USB, RS422/485 Optional GPIB Interface

# ENVIRONMENTAL

PARAMETER	SPECIFICATION
Temperature	0° to 50° C
Non-operating. Temp	-40° to 85° C
Humidity	5 to 95% without condensation



WWW.THEEMCSHOP.COM



SALES@THEEMCSHOP.COM



844.423.7435



THE EMC SHOP, 7401 GALILEE RD. #160 ROSEVILLE, CA 95678