



MAG 1000

Power Frequency Magnetic Field Test Equipment

■ The **MAG 1000** is a stand-alone solution to be used for EMC Tests requiring AC Magnetic Fields.

Power frequency magnetic fields are generated by AC current flowing in conductors. The normal 50/60Hz mains power cord is a good example, although currents with other frequencies may be present depending on the application.

Magnetic fields may interfere with equipment operating in close proximity. Typical EUTs are monitors of all kinds.

The MAG 1000 has a 1m x 1m square, 90 turn antenna. An internal power supply eliminates the need for an external power supply to the generator and a simple interface allows test parameters to be set easily.

Magnetic field strength is defined at the center of the coil with $\pm 3\text{dB}$ variation. Magnetic field is orthogonal to the coil plane. Coil dimensions define the maximum EUT size as being 0.6m x 0.6m x 0.5m.

The MAG 1000 can be used for both vertical and horizontal plane testing by simply rotating the coil antenna in its mounting on the included stand. The MAG 1000 can be operated in both short duration tests and continuous testing which makes it an ideal stand-alone test system for IEC 61000-4-8 and others.



MAG 1000 Antenna with included Stand

FEATURES

- Continuous and short duration testing exactly as it specifies in IEC 61000-4-8
- No external power supplies needed
- Up to 1100A/m field strength
- Sturdy construction
- Horizontal and vertical testing possible
- Manufactured according to ISO 9001

BENEFITS

50/60Hz selectable frequency

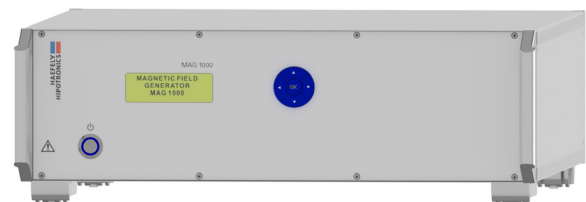
Internal power supply

1-3 sec short duration test time

1min – 8hr continuous test time

APPLICATIONS

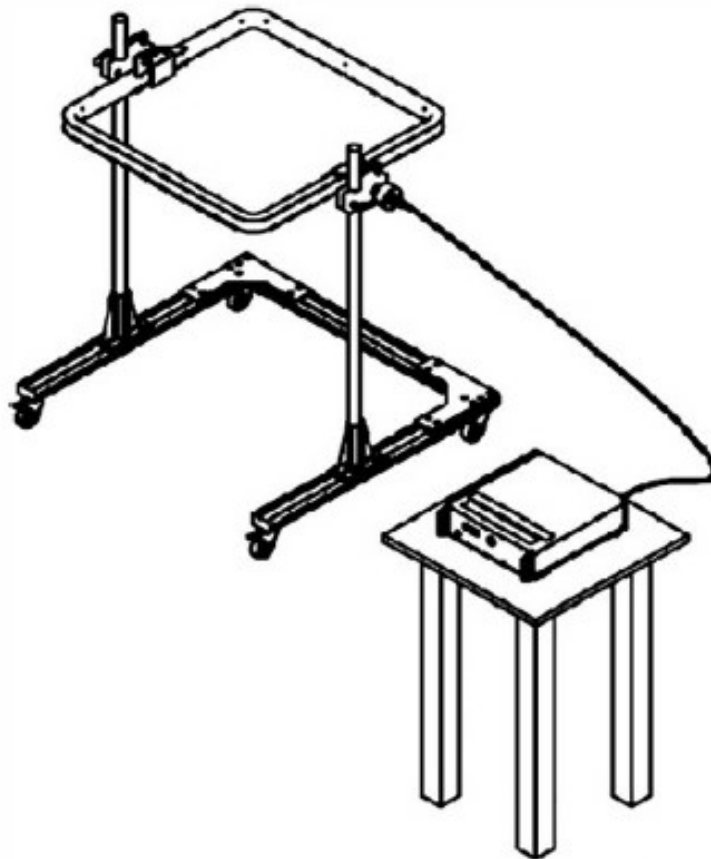
- IEC 61000-4-8
- EN 61000-6-1
- EN 61000-6-2
- All EN product standards and many other applications



MAG 1000 Generator has a simple 20 x 4 character display for easy test parameter set up

TECHNICAL SPECIFICATIONS

Input Voltage	100 - 240V
Continuous Field Strength	1 - 120 A/m
Continuous Test Time	1min – 8hr
Short Duration Field Strength	100 - 1100A/m
Short Duration Test Time	1s - 3s
Selectable Frequency	50Hz & 60Hz
Maximum EUT Size	0.6m x 0.6m x 0.5m
Generator Dimensions	550mm x 450mm x 143mm
Input Connection	10A IEC
Stand & Antenna Weight	46kg



OFFICES:

Europe

Haefely Test AG
Birsstrasse 300
4052 Basel
Switzerland

☎ + 41 61 373 4111
☎ + 41 61 373 4912
✉ sales@haefely.com

China

Haefely Test AG Representative Beijing Office
8-1-602, Fortune Street
No. 67, Chaoyang Road, Chaoyang District
Beijing, China 100025

☎ + 86 10 8578 8099
☎ + 86 10 8578 9908
✉ sales@haefely.com.cn

North America

Hipotronics, Inc.
1650 Route 22 N
Brewster, NY 10509
United States

☎ + 1 845 279 3644
☎ + 1 845 279 2467
✉ sales@hipotronics.com