

PS2000B Probe Stand CL2000B Clamp

Features

The Model PS2000B is a non-conductive, adjustable stand for mounting field probes. Each probe stand comes with one mounting clamp (Model CL2000B) that is compatible with all 7000 Series Field Probes.

The export classification for this equipment is EAR99. This equipment is controlled for export in accordance with the U.S. Export Administration Regulations. Diversion contrary to U.S. law is prohibited.

Specifications

PS2000B Probe Stand

MINIMUM MOUNTING HEIGHT (from ground):
0.18 m (7.0 in)

MAXIMUM MOUNTING HEIGHT (from ground):
2.34 m (92 in)

POLE OUTSIDE DIAMETER: 3.81 cm (1.5 in)

COMPATIBLE MOUNTING CLAMP: CL2000B
(quantity 1 included)

MOUNTING HARDWARE: 1/4-20 Nylon bolt
(included)

WEIGHT: 4 kg (9 lb)*

* Base holds up to 22.8 kg (50 lb) of sand. Sand NOT included. A minimum of 4.5 kg (10 lb) of sand MUST be used to prevent tipping.

DIMENSIONS (W x H x D):
0.42 x 2.34 x 0.42 m (16.5 x 92.0 x 16.5 in)

Operating Temperature Range: 10°C to 40°C
(50°F to 104°F) @ 5% to 95% RH non-condensing



Model PS2000B Probe Stand

AR RF/Microwave
Instrumentation
160 School House Rd
Souderton, PA 18964
215-723-8181

For an applications engineer call: 800.933.8181

www.arworld.us

PS2000B
Probe Stand
CL2000B
Clamp

Specifications

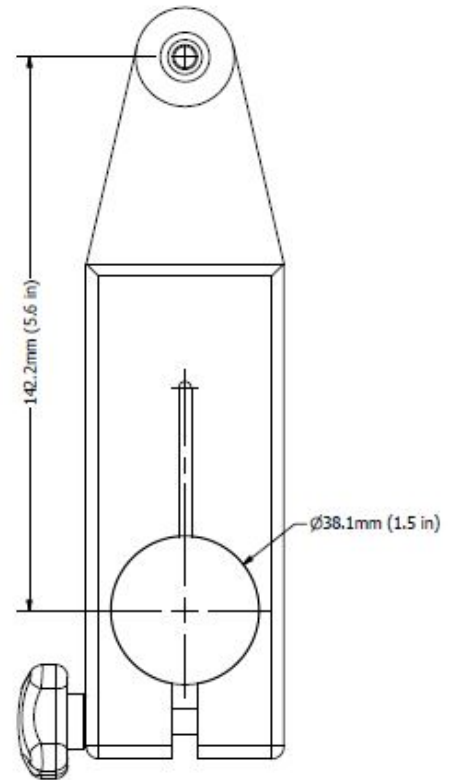
CL2000B Clamp

Mounting Hardware: 1/4-20 Nylon bolt
(included)

Weight: 0.20 kg (0.44 lb)

Dimensions (W x H x D):
6.89 x 1.91 x 20.07 cm (2.7 x 0.8 x 7.9 in)

Operating Temperature Range: 10°C to 40°C
(50°F to 104°F) @ 5% to 95% RH non-condensing



Model CL2000B Clamp