

CDN for Surge Test on Unshielded Symmetrical Lines

CDN 405T8(POE)

Datasheet



In Compliance with

- > IEC 61000-4-5
- > EN 61000-4-5
- > GB/T 17626.5

Introduction

The CDN 405T8 is designed to conduct surge test on 4-pair-8-line unshielded symmetric high-speed communication lines for data transmission rate up to 1,000 MBit/s. It fully meets the requirement of IEC/EN 61000-4-5. High conductive magnetic material is used as decoupling component, which makes decoupling capacity and transmission rate stable.

Features

- > Data transmission rate 10 MB / 100 MB / 1000 MB;
- > Used together with surge generator;
- > Powerful surge resistance, standard withstand voltage up to 5 kV;

Application Areas

- > Communication
- > IT
- > Medical
- > Broadcast
- > Railway
- > Telecom
- > Military
- > Avionics
- > New energy

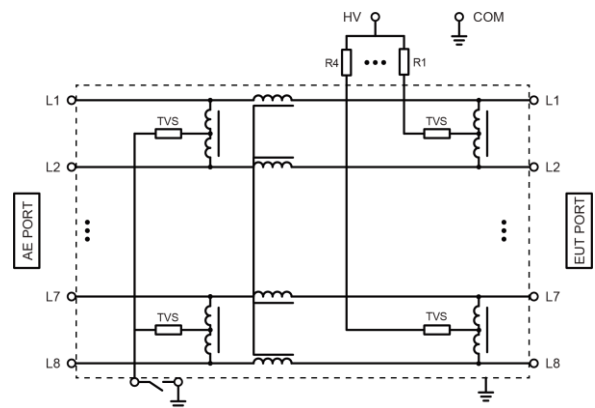
Technical Parameters	
Model	CDN 405T8 (POE)
Standard	IEC/EN 61000-4-5
Coupling Waveform	1.2/50 μ s, 8/20 μ s
	10/700 μ s, 5/320 μ s
Pulse Voltage	5 kV
Coupling Mode	4-pair-8-line unshielded line Common mode (line to ground)
Coupling Components	TVS
Communication Port	RJ45 female connector to connect communication line
Pin Assignment	Pair 1: pins 1 / 2
	Pair 2: pins 3 / 6
	Pair 3: pins 5 / 4
	Pair 4: pins 7 / 8
Data Transmission Rate	1,000 MBit/s
Working Voltage	AC 50 V, DC 70 V
Working Current	Max. 1 A
Residual Voltage	<90 V (coupling surge voltage)
Decoupling Inductance	20 mH

General Data	
Weight	Approx. 20 kg
Dimension	470 mm(L)×220 mm(W)×192 mm(H)
Enclosure	Aluminum
Ambient Temperature	5 °C ~ 35 °C (operation condition)
Relative Humidity	45% ~ 75% (operation condition)

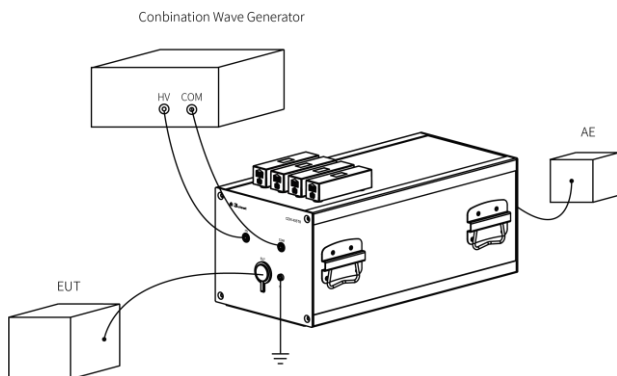
Accessories
User Manual, short-circuit plug, test line, grounded line, network line

Options
Resistor module (NR 12.5)
Resistor module (NR 100)

Design Schematic Circuit:



Test Connection Illustration:





MAINLAND CHINA

SUZHOU 3CTEST ELECTRONIC CO., LTD.

Add.: No. 99 Emeishan Rd, SND, Suzhou 215153,

Tel: +86 (0)512 6807 7192

Fax: +86-512-68079795

Email: globalsales@3ctest.cn

www.3c-test.com

3ctest is always striving for product innovation and quality improvement.

Product appearance and technical specifications are subject to change without further notice.

© 3ctest