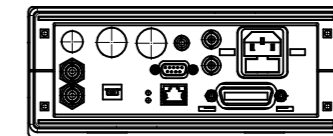
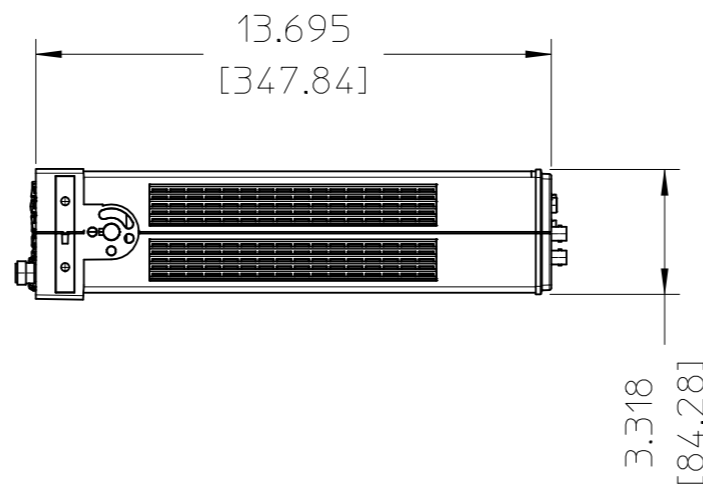
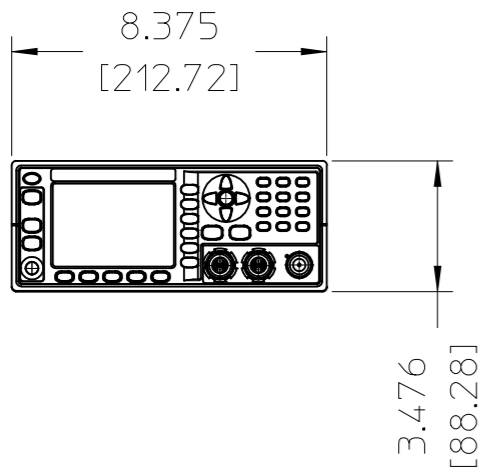
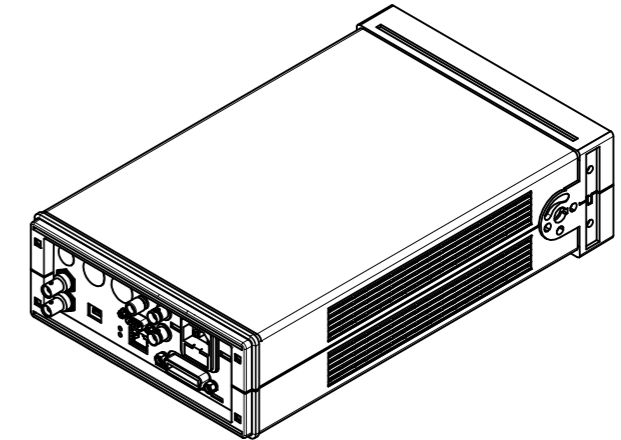
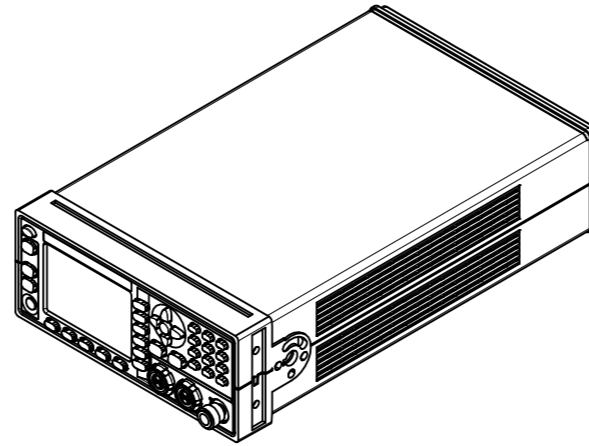
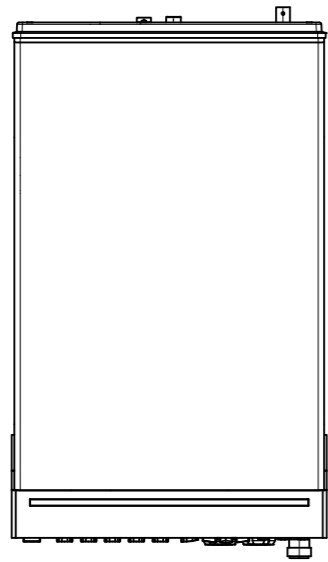


DO NOT SCALE THIS METRIC DRAWING	GD&T SYMBOLLOGY PER ISO 1101 & ISO 5459	DRAWN BY	2015-02-16 DATE (YYYY-MM-DD)	TITLE			
		ENGINEER/CHECKER	2015-02-16 DATE				
		UNLESS OTHERWISE SPECIFIED		FRAME DATE: 2014-05-20			PART NUMBER
		<ul style="list-style-type: none"> DIMENSIONS ARE IN MILLIMETERS THIRD ANGLE PROJECTION ADHERENCE TO DWG A-5951-1561-1 (COMPANY STD. SECTION 608) AND A-5951-1745-1 (GSE) IS REQUIRED 					N1912A DOCUMENT NUMBER



DO NOT SCALE THIS METRIC DRAWING	GD&T SYMBOLOGY PER ISO 1101 & ISO 5459	DRAWN BY	2015-02-16 DATE (YYYY-MM-DD)	WITHOUT RUBBER BUMPER & HANDLE		
		ENGINEER/CHECKER	2015-02-16 DATE			
		UNLESS OTHERWISE SPECIFIED		TITLE		PART NUMBER
		° DIMENSIONS ARE IN MILLIMETERS ° THIRD ANGLE PROJECTION		1 OF 1	1:5	A3
		° ADHERENCE TO DWG A-5951-1561-1 (COMPANY STD. SECTION 608) AND A-5951-1745-1 (GSE) IS REQUIRED		SHEET	SCALE	
						N1912A
						DOCUMENT NUMBER