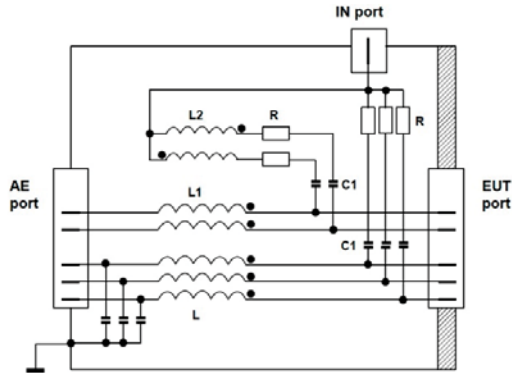


CDN CAN-BUS

**Coupling / Decoupling
of disturbing signal to CAN-BUS-lines**



Simplified diagram for CAN-BUS (L5)



Specification:

Order number	CDN CAN-BUS
RF In	
Frequency Range (RF In)	150 kHz – 230 MHz
Power Rating (RF In)	6 W (continuous)
Decoupling attenuation (RF In – AE)	PIN 2+7: > 35 dB (150 kHz – 230 MHz) PIN 3+6+9: > 35 dB (150 kHz – 200 MHz), > 25dB (200 MHz – 230 MHz)
Insertion loss (RF In – EUT)	10 dB ± 1 dB (150 kHz – 230 MHz);
Connector	BNC
EUT / AE	
Maximum Input Voltage AC	50 V
Maximum Input Voltage DC	50 V
Current Rating (AE – EUT)	PIN 2+7 = 0,5A PIN 3+6+9 = 3A
Insertion loss (AE – EUT)	PIN 2+7: < 1dB (DC – 10 MHz), < 10 dB (10 MHz – 500 MHz) PIN 3+6+9: < 1 dB (DC – 100 kHz)
Connector (AE – EUT)	9 pin Sub-D female
Mechanical Data	Case size 1
Dimensions (W x H x D)	160mm x 84.5mm x 240 mm

Calibration adapter to CDN CAN

CAN type	Order number
CAN-BUS	CDG A 3131 (9 pin. male Sub-D)
Fastening angle with 50/150 Ohm adaptor	CDG A 3100

