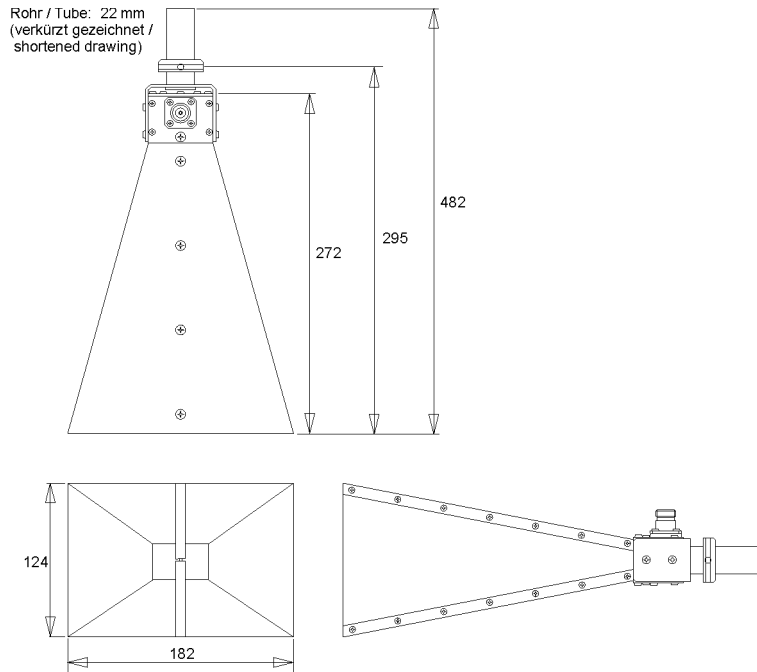


SCHWARZBECK MESS - ELECTRONICS

On the blade 29 D-69250 Schönau Tel .: 06228/1001 Fax .: (49) 6228/1003

Double leg broadband horn antenna BBHA 9120 B Double Ridged Broadband Horn Antenna BBHA 9120 B



Technical specifications:

BBHA 9120 B

Type:

Linear polarized double bridge
broadband horn antenna in
Aluminum version for receiving and transmitting applications.

Frequency range, nominally:	1.5 ... 10 GHz
Usable Frequency Range:	1 ... 5.10 GHz
Isotropgewinn:	5 ... 18 dBi
Antenna Factor:	25 ... 33 dB / m
Impedance, nominally:	50 Ω
SWR SWR typical:	<1.5
SWR SWR max .:	<2.5 (f> 1.5 GHz)
Pre- back ratio:	typ.> 25 dB (f> 1.3 GHz)
Polarization decoupling:	typ.> 25 dB
3 dB opening angle type (E-plane).:	≈ 34 °
3 dB opening angle type (H level).:	≈ 32 °
Max input power.:	300 W (cont.)
Connection:	N connector
Holder:	22 mm tube, locking ring
Width x length x height:	184 x 272 (480) x 128 mm
Mass:	1.2 kg

Specifications:

Type:

Linear polarized double ridged
broadband horn antenna for transmit and receive applications made of aluminum.

Nominal Frequency Range:

Usable Frequency Range:

Isotropic Gain:

Antenna Factor:

Nominal Impedance:

Standing wave ratio SWR typical:

Standing wave ratio SWR max .:

Front to Back Ratio:

Cross Polarization:

3 dB Beam Width type (E-Plane).:

3dB Beamwidth type (H-plane).:

Max. Input Power:

N connector female

Mount: 22 mm tube, indexing ring

Width x Length x Height:

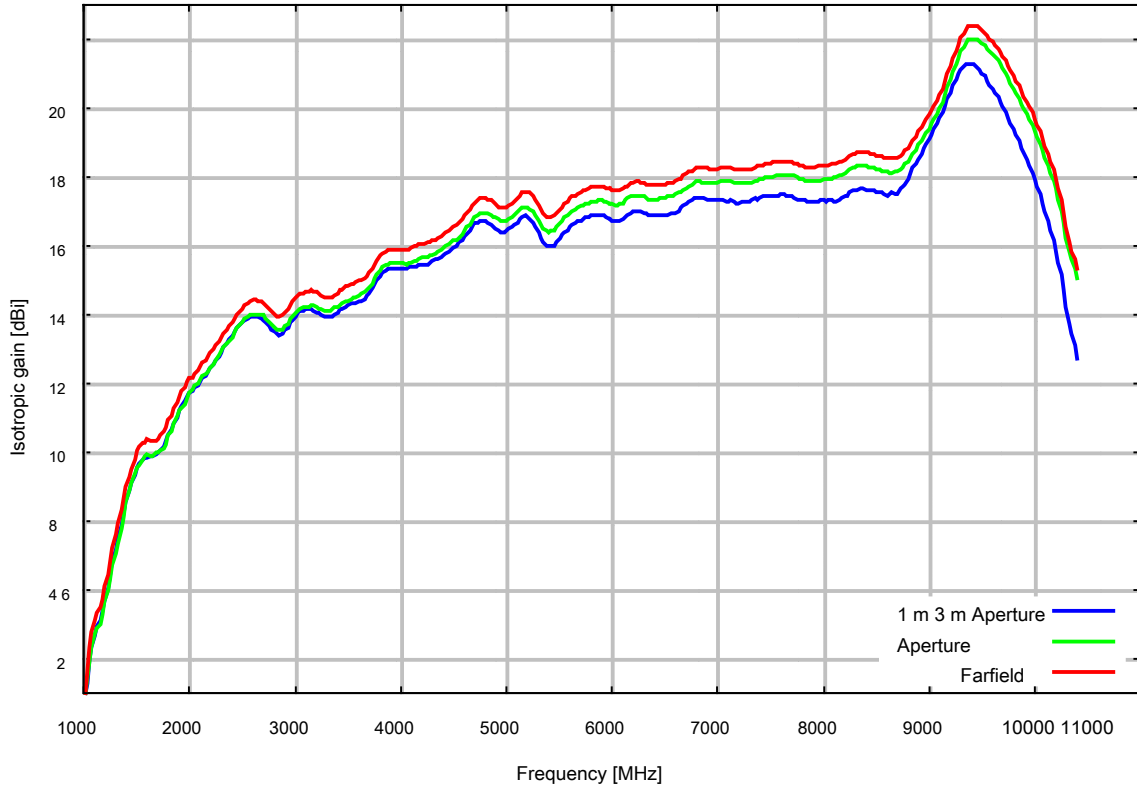
Weight:

SCHWARZBECK MESS - ELECTRONICS

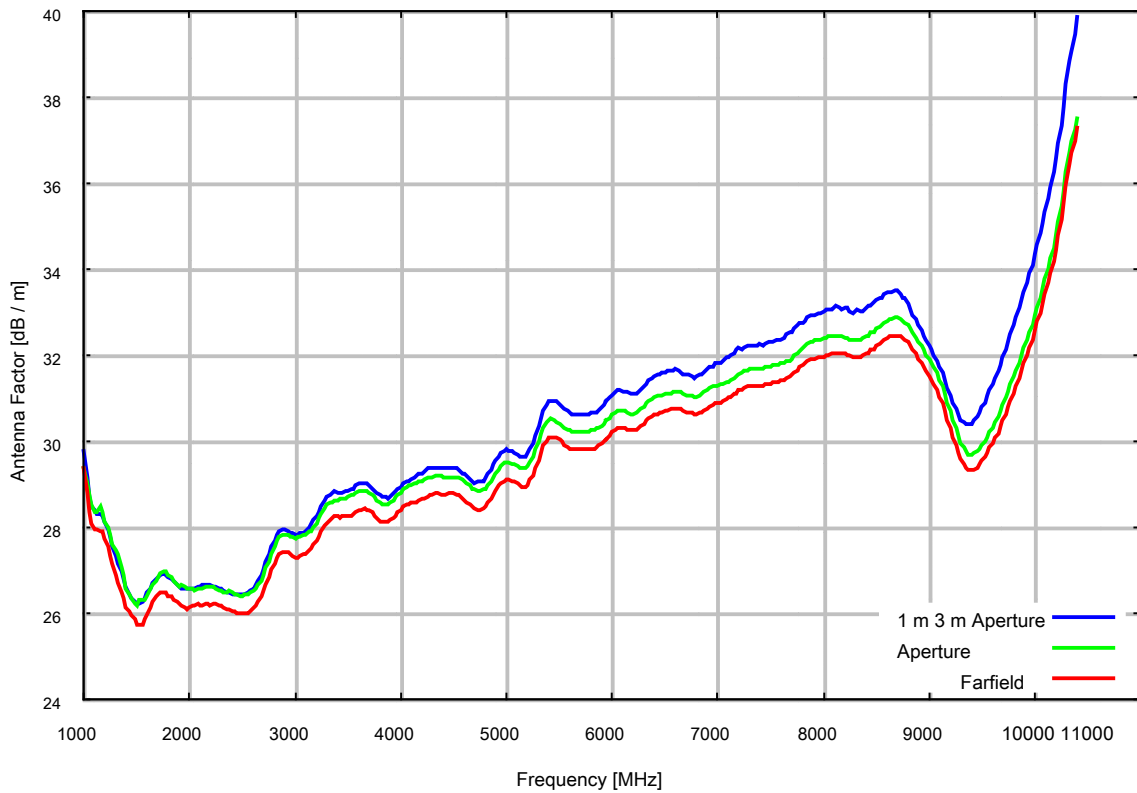
On the blade 29 D-69250 Schönau Tel .: 06228/1001 Fax .: (49) 6228/1003

Double leg broadband horn antenna BBHA 9120 B *Double Ridged Broadband Horn Antenna BBHA 9120 B*

Isotropgewinn



Antennenwandlungsmaß



SCHWARZBECK MESS - ELECTRONICS

On the blade 29 D-69250 Schönau Tel .: 06228/1001 Fax .: (49) 6228/1003

Double leg broadband horn antenna BBHA 9120 B *Double Ridged Broadband Horn Antenna BBHA 9120 B*

Frequency Gain MHz	Gain (Isotr.) 1 m Apert.	Ant.-Factor 1 m Apert.	Gain (Isotr.) 3 m Apert.	Ant.-Factor 3 m Apert.	Gain (Isotr.) Farfield	Ant.-Factor Farfield
	dBi	dB / m	dBi	dB / m	dBi	dB / m
1000.00	12:45	29.77	0.83	29.39	0.87	29.35
1025.00	1.28	29.15	1:42	29.01	1.67	28.77
1050.00	1.94	28.70	1.91	28.73	2.31	28.34
1075.00	2:35	28.50	2:34	28.51	2.78	28.07
1100.00	2.68	28.37	2.69	28.36	3.11	27.93
1125.00	2.92	28.32	2.88	28.36	3.31	27.93
1150.00	3.12	28.31	2.97	28.46	3:51	27.92
1175.00	3:37	28.25	3.26	28.36	3.71	27.91
1200.00	3.68	28.13	3.68	28.13	4:08	27.72
1225.00	4:03	27.96	4:00	27.98	4:45	27.53
1250.00	4:41	27.75	4:32	27.83	4.82	27.34
1275.00	4.80	27.53	4.73	27.60	5.19	27.14
1300.00	5.16	27.34	5:06	27.44	5.61	26.89
1325.00	5:50	27.17	5.31	27.35	5.94	26.72
1350.00	5.86	26.97	5.74	27.08	6:35	26.48
1375.00	6.21	26.78	6.10	26.88	6.64	26.35
1400.00	6:53	26.61	6:55	26.59	7:01	26.14
1425.00	6.86	26.44	6.86	26.44	7.26	26.03
1450.00	7:09	26.35	7.11	26.34	7:50	25.94
1475.00	7:34	26.26	7:39	26.20	7.75	25.84
1500.00	7:52	26.22	7:55	26.19	8:03	25.71
1525.00	7.66	26.23	7:59	26.30	8.18	25.71
1550.00	7.76	26.27	7.74	26.29	8.29	25.74
1575.00	7.82	26.34	7.86	26.30	8.29	25.87
1600.00	7.83	26.47	7.93	26.38	8:36	25.95
1625.00	7.86	26.58	7.85	26.58	8:33	26.11
1650.00	7.87	26.70	7.89	26.68	8:33	26.24
1675.00	7.92	26.78	7.97	26.73	8:32	26.38
1700.00	7.98	26.85	8:01	26.82	8:40	26.43
1725.00	8:05	26.90	8:02	26.93	8:48	26.47
1750.00	8.16	26.92	8.12	26.96	8.61	26.47
1775.00	8:33	26.87	8.23	26.97	8.73	26.47
1800.00	8:50	26.83	8:46	26.86	8.92	26.40
1825.00	8.67	26.78	8.60	26.84	9:04	26.41
1850.00	8.84	26.73	8.83	26.73	9.24	26.32
1875.00	9:01	26.67	9:04	26.64	9:41	26.27
1900.00	9.20	26.60	9.19	26.60	9:59	26.21
1925.00	9:34	26.57	9.27	26.64	9.74	26.17
1950.00	9:46	26.56	9:39	26.63	9.89	26.13
1975.00	9:58	26.56	9:54	26.59	3.10	26.10
2000.00	9.69	26.55	9.69	26.56	10:13	26.11
2025.00	9.79	26.56	9.80	26.55	10:18	26.17
2050.00	9.88	26.58	9.92	26.54	10:28	26.17
2075.00	9.95	26.62	1.10	26.55	10:36	26.20
2100.00	3.10	26.63	9.10	26.57	10:47	26.19
2125.00	10:13	26.64	10:19	26.58	10:57	26.19
2150.00	10:22	26.65	10:25	26.62	10.65	26.22
2175.00	10:32	26.65	10:33	26.63	10.77	26.20
2200.00	10:43	26.64	10:43	26.63	10.88	26.19
2225.00	10:53	26.63	10:55	26.62	10.96	26.21
2250.00	10.65	26.61	10.67	26.59	7.11	26.20

SCHWARZBECK MESS - ELECTRONICS

On the blade 29 D-69250 Schönau Tel .: 06228/1001 Fax .: (49) 6228/1003

Double leg broadband horn antenna BBHA 9120 B Double Ridged Broadband Horn Antenna BBHA 9120 B

Frequency Gain MHz	(Isotr.) 1 m Apert.	Ant.-Factor 1 m Apert.	Gain (Isotr.) 3 m Apert.	Ant.-Factor 3 m Apert.	Gain (Isotr.) Farfield	Ant.-Factor Farfield
	dBi	dB / m	dBi	dB / m	dBi	dB / m
2275.00	10.77	26.59	10.82	26.54	11:18	26.18
2300.00	10.89	26.56	10.94	26.51	11:31	26.15
2325.00	3.11	26.52	6.11	26.49	11:44	26.11
2350.00	11:14	26.50	11:14	26.50	11:54	26.10
2375.00	11:25	26.48	11:21	26.52	11:67	26.07
2400.00	11:36	26.46	11:33	26.50	11:78	26.04
2425.00	11:48	26.44	11:47	26.45	11:90	26.02
2450.00	11:58	26.42	11:57	26.43	11:99	1.26
2475.00	11.68	26.42	11.68	26.41	9.12	26.00
2500.00	11.75	26.43	11.76	26.41	12:17	1.26
2525.00	11.82	26.45	11.85	26.42	12:27	25.99
2550.00	11.88	26.47	11.93	26.42	12:34	1.26
2575.00	11.92	26.52	11.96	26.48	12:38	5.26
2600.00	11.94	26.58	11.97	26.54	12:41	26.11
2625.00	11.95	26.65	1.12	26.59	12:42	26.19
2650.00	11.93	26.76	1.12	26.68	12:40	26.28
2675.00	11.89	26.88	12:00	26.77	12:37	26.39
2700.00	11.83	27.02	11.96	26.89	12:33	26.52
2725.00	11.74	27.18	11.88	5.27	12:26	26.67
2750.00	11.64	27.36	11.79	27.21	12:17	26.84
2775.00	11:53	27.55	11.71	27.38	8.12	27.01
2800.00	11:46	27.70	11.60	27.56	1.12	27.15
2825.00	11:42	27.82	11:55	27.69	11.95	27.29
2850.00	11:40	27.91	11:54	27.78	11.95	27.37
2875.00	11:44	27.96	11:56	27.83	11.97	27.43
2900.00	11:52	27.95	11.64	27.83	4.12	27.43
2925.00	11.62	27.92	11.73	27.81	12:15	27.40
2950.00	11.75	27.87	11.85	27.77	12:27	27.35
2975.00	11.84	27.85	11.94	27.75	12:36	27.33
3000.00	11.94	27.82	2.12	27.74	12:46	27.30
3025.00	3.12	27.81	8.12	27.75	12:53	27.30
3050.00	7.12	27.84	12:15	27.76	12:59	27.31
3075.00	12:11	27.87	12:18	27.80	12.60	27.38
3100.00	12:14	27.91	12:22	27.83	12.65	27.39
3125.00	12:14	27.98	12:23	27.89	12.66	27.45
3150.00	12:13	28.06	12:28	27.91	12.68	27.51
3175.00	9.12	28.17	12:26	28.00	12.65	27.60
3200.00	6.12	28.26	12:22	10.28	12.65	27.67
3225.00	3.12	28.36	12:17	28.22	12.60	27.79
3250.00	11.96	28.50	12:16	28.30	12:55	27.91
3275.00	11.92	28.61	12:10	28.42	12:49	28.03
3300.00	11.91	28.68	7.12	28.52	12:49	10.28
3325.00	11.92	28.74	8.12	28.58	12:48	28.17
3350.00	11.94	28.78	12:14	28.58	12:50	28.22
3375.00	11.97	28.82	12:18	28.61	12:54	28.24
3400.00	4.12	28.81	12:23	28.62	12.61	28.24
3425.00	12:13	28.79	12:28	28.64	12.68	28.23
3450.00	12:17	28.81	12:33	28.65	12.73	28.25
3475.00	12:21	28.83	12:37	28.67	12.79	28.25
3500.00	12:27	28.83	12:39	28.71	12.84	28.26
3525.00	12:31	28.86	12:43	28.73	12.89	28.28
3550.00	12:32	28.90	12:47	28.75	12.90	28.32

SCHWARZBECK MESS - ELECTRONICS

On the blade 29 D-69250 Schönau Tel .: 06228/1001 Fax .: (49) 6228/1003

Double leg broadband horn antenna BBHA 9120 B Double Ridged Broadband Horn Antenna BBHA 9120 B

Frequency Gain MHz	(Isotr.) 1 m Apert.	Ant.-Factor 1 m Apert.	Gain (Isotr.) 3 m Apert.	Ant.-Factor 3 m Apert.	Gain (Isotr.) Farfield	Ant.-Factor Farfield
	dBi	dB / m	dBi	dB / m	dBi	dB / m
3575.00	12:32	28.96	12:49	28.79	12.94	28.34
3600.00	12:35	29.00	12:52	28.83	12.97	28.37
3625.00	12:40	29.00	12:58	28.83	1.13	28.40
3650.00	12:45	29.02	12:63	28.84	4.13	28.42
3675.00	12:52	29.01	12:69	28.84	13:12	28.41
3700.00	12:62	28.96	12:77	28.81	13:20	28.38
3725.00	12:74	28.90	12:89	28.75	13:30	28.34
3750.00	12:86	28.84	2.13	28.68	13:42	28.28
3775.00	12:98	28.78	13:15	28.61	13:56	28.20
3800.00	8.13	28.73	13:26	28.56	13.68	28.14
3825.00	13:18	28.70	13:36	28.52	13.75	28.12
3850.00	13:25	28.68	13:41	28.52	13.80	28.12
3875.00	13:31	28.67	13:44	28.54	13.85	28.14
3900.00	13:33	28.71	13:47	28.58	13.86	28.18
3925.00	13:32	28.77	13:47	28.62	13.87	28.22
3950.00	13:33	28.83	13:46	28.69	13.87	28.28
3975.00	13:34	28.86	13:46	28.75	13.86	28.34
4000.00	13:34	28.92	13:46	28.80	13.87	28.39
4025.00	13:31	29.01	13:46	28.86	13.86	28.46
4050.00	13:30	29.07	13:45	28.92	13.86	28.51
4075.00	13:35	29.07	13:47	28.95	13.89	28.53
4100.00	13:39	29.08	13:49	28.98	13.92	28.55
4125.00	13:39	29.14	13:52	29.01	13.96	28.57
4150.00	13:37	29.21	13:55	29.03	14:00	28.58
4175.00	13:41	29.23	13:59	29.04	3.14	28.61
4200.00	13:44	29.24	13:63	5.29	5.14	28.64
4225.00	13:45	29.29	13:65	29.08	6.14	28.67
4250.00	13:44	29.35	13:66	29.13	7.14	28.71
4275.00	13:47	29.37	13:70	29.14	14:10	28.73
4300.00	13:52	29.37	13:73	29.16	14:13	28.76
4325.00	13:57	29.37	13:76	29.18	14:16	28.78
4350.00	13:61	29.38	13:80	29.19	14:22	28.77
4375.00	13:66	29.38	13:86	29.18	14:28	28.76
4400.00	13:71	29.38	13:93	29.16	14:34	28.75
4425.00	13:75	29.39	13:98	29.16	14:38	28.76
4450.00	13:81	29.37	2.14	29.16	14:42	28.77
4475.00	13:87	29.36	8.14	29.16	14:46	28.78
4500.00	13:92	29.37	14:13	29.15	14:52	28.77
4525.00	13:98	29.36	14:17	29.16	14:58	28.75
4550.00	7.14	29.31	14:22	29.16	14.65	28.73
4575.00	14:17	29.25	14:31	29.12	14.75	28.67
4600.00	14:26	29.22	14:41	29.06	14.85	28.63
4625.00	14:34	29.18	14:52	29.00	14.94	28.58
4650.00	14:45	29.12	14:62	28.95	4.15	28.53
4675.00	14:56	29.06	14:71	28.90	15:13	28.48
4700.00	14:63	29.03	14:80	28.86	15:22	28.45
4725.00	14:67	29.04	14:86	28.85	15:30	28.41
4750.00	14:71	29.04	14:91	28.85	15:35	28.40
4775.00	14:73	29.07	14:93	28.87	15:38	28.42
4800.00	14:71	29.14	14:94	28.90	15:37	28.48
4825.00	14:66	29.23	14:93	28.96	15:34	28.55
4850.00	14:60	29.33	14:89	5.29	15:29	28.64

SCHWARZBECK MESS - ELECTRONICS

On the blade 29 D-69250 Schönau Tel .: 06228/1001 Fax .: (49) 6228/1003

Double leg broadband horn antenna BBHA 9120 B Double Ridged Broadband Horn Antenna BBHA 9120 B

Frequency Gain MHz	Gain (Isotr.) 1 m Apert.	Ant.-Factor 1 m Apert.	Gain (Isotr.) 3 m Apert.	Ant.-Factor 3 m Apert.	Gain (Isotr.) Farfield	Ant.-Factor Farfield
	dBi	dB / m	dBi	dB / m	dBi	dB / m
4875.00	14:54	29.44	14.84	29.14	15:24	28.74
4900.00	14:47	29.55	14.79	29.23	15:18	28.85
4925.00	14:42	29.65	14.74	29.33	15:12	28.95
4950.00	14:39	29.72	14.69	29.42	9.15	29.03
4975.00	14:38	29.77	14.68	29.48	9.15	29.07
5000.00	14:40	29.80	14.70	29.50	15:11	29.09
5025.00	14:46	29.79	14.75	29.50	15:15	29.09
5050.00	14:54	29.75	14.81	29.47	15:21	29.07
5075.00	14.60	29.73	14.89	29.44	15:28	5.29
5100.00	14.67	29.70	14.97	29.40	15:36	29.01
5125.00	14.76	29.65	4.15	29.37	15:45	28.97
5150.00	14.84	29.62	9.15	29.36	15:51	28.94
5175.00	14.86	29.64	15:12	29.38	15:56	28.94
5200.00	14.82	29.72	15:11	29.43	15:55	28.99
5225.00	14.76	29.82	6.15	29.52	15:51	29.08
5250.00	14.67	29.95	14.98	29.65	15:41	29.21
5275.00	14:54	30.12	14.86	29.80	15:29	29.37
5300.00	14:37	30.33	14.73	29.97	15:15	29.56
5325.00	14:22	30.53	14.60	30.15	2.15	29.73
5350.00	14.9	30.70	14:48	30.31	14.90	29.88
5375.00	1.14	30.82	14:40	30.42	14.83	30.00
5400.00	13.96	30.91	14:38	30.49	14.79	30.08
5425.00	13.96	30.94	14:40	30.51	14.81	30.10
5450.00	1.14	30.94	14:45	30.49	14.85	30.09
5475.00	8.14	30.91	14:54	30.45	14.93	30.06
5500.00	14:19	30.84	14.63	30.40	1.15	30.02
5525.00	14:29	30.78	14.72	30.35	15:10	29.97
5550.00	14:37	30.74	14.81	30.30	15:18	29.92
5575.00	14:45	30.69	14.87	30.27	15:28	29.87
5600.00	14:54	30.64	14.94	30.24	15:35	29.83
5625.00	14.62	30.60	15:00	30.22	15:41	29.82
5650.00	14.67	30.59	4.15	30.22	15:45	29.81
5675.00	14.68	30.62	9.15	30.21	15:50	29.80
5700.00	14.73	30.61	15:13	30.21	15:54	29.80
5725.00	14.78	30.60	15:16	30.22	15:57	29.80
5750.00	14.80	30.61	15:20	30.22	15.60	29.81
5775.00	14.82	30.63	15:22	30.23	15.65	29.80
5800.00	14.85	30.64	15:24	30.25	15.68	29.81
5825.00	14.87	30.65	15:26	30.26	15.71	29.82
5850.00	14.89	30.67	15:28	30.28	15.72	29.85
5875.00	14.88	30.72	15:29	30.31	15.72	29.88
5900.00	14.87	30.77	15:29	30.35	15.71	29.93
5925.00	14.85	30.83	15:27	30.41	15.69	29.98
5950.00	14.79	30.92	15:24	30.47	15.66	30.05
5975.00	14.76	30.99	15:22	30.52	15.62	30.12
6000.00	14.73	31.06	15:19	30.59	15.59	30.20
6025.00	14.69	31.13	15:17	30.65	15.57	30.25
6050.00	14.69	31.17	15:17	30.69	15.57	30.28
6075.00	14.72	31.17	15:19	30.70	15.60	30.29
6100.00	14.77	31.16	15:23	30.69	15.62	30.31
6125.00	14.82	31.15	15:29	30.68	15.68	30.29
6150.00	14.87	31.13	15:35	30.65	15.73	30.26

SCHWARZBECK MESS - ELECTRONICS

On the blade 29 D-69250 Schönau Tel .: 06228/1001 Fax .: (49) 6228/1003

Double leg broadband horn antenna BBHA 9120 B Double Ridged Broadband Horn Antenna BBHA 9120 B

Frequency Gain MHz	Gain (Isotr.) 1 m Apert.	Ant.-Factor 1 m Apert.	Gain (Isotr.) 3 m Apert.	Ant.-Factor 3 m Apert.	Gain (Isotr.) Farfield	Ant.-Factor Farfield
	dBi	dB / m	dBi	dB / m	dBi	dB / m
6175.00	14.94	31.10	15:40	30.63	15.79	30.24
6200.00	14.99	31.08	15:43	30.63	15.83	30.24
6225.00	14.99	31.11	15:45	30.66	15.86	30.24
6250.00	14.97	31.16	15:44	30.70	15.85	30.28
6275.00	14.97	31.20	15:42	30.75	15.84	30.33
6300.00	14.95	31.26	15:40	30.81	15.81	30.40
6325.00	14.91	31.34	15:36	30.88	15.78	30.46
6350.00	14.87	31.41	15:34	30.93	15.76	30.51
6375.00	14.86	31.45	15:34	30.97	15.75	30.56
6400.00	14.86	31.49	15:34	31.00	15.75	30.59
6425.00	14.85	31.53	15:34	31.04	15.76	30.62
6450.00	14.85	31.56	15:35	31.07	15.76	30.65
6475.00	14.87	31.58	15:37	31.07	15.77	30.67
6500.00	14.87	31.61	15:38	31.09	15.78	30.70
6525.00	14.88	31.63	15:40	31.11	15.79	30.72
6550.00	14.91	31.63	15:42	31.12	15.81	30.74
6575.00	14.93	31.64	15:45	31.13	15.83	30.75
6600.00	14.95	31.66	15:48	31.13	15.85	30.76
6625.00	15:00	31.65	15:51	31.14	15.90	30.74
6650.00	8.15	31.59	15:55	31.13	15.95	30.73
6675.00	15:15	31.56	15:61	31.10	1.16	30.70
6700.00	15:19	31.55	15:67	31.07	7.16	30.67
6725.00	15:24	31.53	15:72	31.06	16:12	30.65
6750.00	15:33	31.48	15:76	31.04	16:17	30.64
6775.00	15:38	31.46	15:81	31.02	16:22	30.62
6800.00	15:37	31.50	15:85	31.02	16:25	30.62
6825.00	15:37	31.54	15:85	31.05	16:26	30.64
6850.00	15:38	31.55	15:84	31.09	16:26	30.67
6875.00	15:37	31.60	15:84	31.13	16:25	30.71
6900.00	15:34	31.66	15:82	31.18	16:24	30.76
6925.00	15:32	31.71	15:81	31.22	16:22	30.81
6950.00	15:32	31.74	15:80	31.26	16:22	30.84
6975.00	15:30	31.79	15:82	31.27	16:22	30.87
7000.00	15:30	31.82	15:83	31.29	16:23	30.89
7025.00	15:32	31.83	15:85	31.30	16:25	30.90
7050.00	15:31	31.87	15:85	31.33	16:26	30.93
7075.00	15:28	31.93	15:87	31.35	16:27	30.95
7100.00	15:28	31.96	15:87	31.38	16:25	30.99
7125.00	15:30	31.98	15:85	31.43	16:25	31.03
7150.00	15:27	32.04	15:83	31.47	16:22	31.08
7175.00	15:22	32.12	15:82	31.52	16:21	31.12
7200.00	15:22	32.15	15:81	31.56	16:19	31.17
7225.00	15:25	32.14	15:80	31.59	16:18	31.21
7250.00	15:26	32.16	15:80	31.63	16:18	31.24
7275.00	15:24	32.22	15:81	31.64	16:19	31.26
7300.00	15:26	32.23	15:83	31.66	16:20	31.28
7325.00	15:32	32.19	15:84	31.67	16:23	31.28
7350.00	15:35	32.19	15:88	31.67	16:27	31.28
7375.00	15:34	32.23	15:89	31.68	16:29	31.29
7400.00	15:37	32.24	15:92	31.68	16:32	31.29
7425.00	15:40	32.23	15:94	31.69	16:34	31.29
7450.00	15:41	32.25	15:96	31.70	16:37	31.30

SCHWARZBECK MESS - ELECTRONICS

On the blade 29 D-69250 Schönau Tel .: 06228/1001 Fax .: (49) 6228/1003

Double leg broadband horn antenna BBHA 9120 B Double Ridged Broadband Horn Antenna BBHA 9120 B

Frequency Gain MHz	Gain (Isotr.) 1 m Apert.	Ant.-Factor 1 m Apert.	Gain (Isotr.) 3 m Apert.	Ant.-Factor 3 m Apert.	Gain (Isotr.) Farfield	Ant.-Factor Farfield
	dBi	dB / m	dBi	dB / m	dBi	dB / m
7475.00	15:41	32.28	15.99	31.70	16:38	31.31
7500.00	15:43	32.29	15.99	31.73	16:39	31.33
7525.00	15:44	32.31	16:00	31.75	16:40	31.35
7550.00	15:43	32.35	2.16	31.76	16:41	31.37
7575.00	15:45	32.36	3.16	31.78	16:42	31.38
7600.00	15:48	32.36	4.16	31.79	16:43	31.40
7625.00	15:46	32.40	16.5	31.82	16:44	31.42
7650.00	15:41	32.48	16.5	31.84	16:44	31.46
7675.00	15:41	32.51	16.5	31.87	16:43	31.49
7700.00	15:43	32.52	4.16	31.91	16:41	31.54
7725.00	15:39	32.59	1.16	31.97	16:39	31.59
7750.00	15:31	32.69	15.98	32.03	16:36	31.65
7775.00	15:30	32.74	15.95	32.09	16:32	31.71
7800.00	15:31	32.75	15.92	32.15	16:30	31.77
7825.00	15:29	32.80	15.89	32.20	16:28	31.81
7850.00	15:24	32.88	15.88	32.24	16:27	31.85
7875.00	15:24	32.90	15.87	32.28	16:26	31.89
7900.00	15:27	32.90	15.87	32.30	16:26	31.91
7925.00	15:28	32.92	15.87	32.33	16:28	31.92
7950.00	15:27	32.95	15.89	32.34	16:29	31.93
7975.00	15:29	32.96	15.89	32.36	16:31	31.95
8000.00	15:29	32.99	15.90	32.38	16:32	31.96
8025.00	15:27	33.04	15.92	32.39	16:34	31.97
8050.00	15:29	33.04	15.92	32.41	16:34	31.99
8075.00	15:30	33.06	15.95	32.42	16:36	32.01
8100.00	15:27	33.11	15.96	32.43	16:36	32.03
8125.00	15:27	33.15	15.98	32.43	16:37	32.05
8150.00	15:34	33.10	2.16	32.42	16:40	32.04
8175.00	15:39	33.07	16.5	32.42	16:43	32.04
8200.00	15:41	33.09	16.9	32.40	16:48	32.01
8225.00	15:43	33.09	16:14	32.38	16:53	31.99
8250.00	15:53	33.02	16:19	32.36	16:58	31.97
8275.00	15:59	32.98	16:24	32.33	16:62	31.95
8300.00	15:59	33.01	16:27	32.33	16:66	31.94
8325.00	15:59	33.04	16:30	32.33	16:68	31.95
8350.00	15:65	33.01	16:32	32.34	16:70	31.96
8375.00	15:66	33.02	16:31	32.37	16:70	31.98
8400.00	15:61	33.10	16:29	32.41	16:69	32.02
8425.00	15:59	33.14	16:28	32.45	16:68	32.05
8450.00	15:61	33.15	16:26	32.50	16:66	32.10
8475.00	15:57	33.21	16:25	32.53	16:64	32.14
8500.00	15:52	33.29	16:22	32.59	16:61	32.20
8525.00	15:52	33.31	16:19	32.64	16:59	32.24
8550.00	15:52	33.34	16:16	32.70	16:57	32.29
8575.00	15:47	33.41	16:14	32.74	16:55	32.34
8600.00	15:44	33.47	16:12	32.79	16:53	32.38
8625.00	15:49	33.45	16:11	32.83	16:52	32.41
8650.00	15:51	33.46	16:11	32.85	16:53	32.43
8675.00	15:48	33.51	16:12	32.87	16:54	32.44
8700.00	15:50	33.51	16:14	32.87	16:56	32.45
8725.00	15:63	33.40	16:20	32.84	16:60	32.44
8750.00	15:73	33.33	16:26	32.80	16:67	32.39

SCHWARZBECK MESS - ELECTRONICS

On the blade 29 D-69250 Schönau Tel .: 06228/1001 Fax .: (49) 6228/1003

Double leg broadband horn antenna BBHA 9120 B Double Ridged Broadband Horn Antenna BBHA 9120 B

Frequency Gain MHz	Gain (Isotr.) 1 m Apert.	Ant.-Factor 1 m Apert.	Gain (Isotr.) 3 m Apert.	Ant.-Factor 3 m Apert.	Gain (Isotr.) Farfield	Ant.-Factor Farfield
	dBi	dB / m	dBi	dB / m	dBi	dB / m
8775.00	15.78	33.30	16:35	32.74	16.73	32.35
8800.00	15.91	33.20	16:43	32.68	16.83	32.28
8825.00	16:10	33.04	16:55	32.59	16.93	32.21
8850.00	16:24	32.91	16:66	32.50	5.17	32.11
8875.00	16:36	32.83	16.78	32.40	17:17	32.01
8900.00	16:50	32.70	16.92	32.29	17:29	31.92
8925.00	16.66	32.57	3.17	32.20	17:41	31.82
8950.00	16.81	32.44	17:15	32.10	17:54	31.72
8975.00	16.94	32.34	17:28	32.00	17.66	31.62
9000.00	7.17	32.23	17:39	31.91	17.79	31.51
9025.00	17:21	32.12	17:52	31.80	17.92	31.41
9050.00	17:36	32.00	17.66	31.70	18.5	31.30
9075.00	17:51	31.87	17.81	31.57	18:20	31.18
9100.00	17.68	31.72	17.98	31.42	18:37	31.03
9125.00	17.85	31.57	18:16	31.27	18:55	30.87
9150.00	3.18	31.42	18:36	31.09	18.76	30.69
9175.00	18:23	31.24	18:58	30.89	18.97	30.50
9200.00	18:44	31.05	18.80	30.70	19:19	30.30
9225.00	18.63	30.89	3.19	30.49	19:42	30.10
9250.00	18.79	30.75	19:25	30.29	19.64	29.90
9275.00	18.95	30.61	19:44	30.12	19.83	29.73
9300.00	19:10	30.49	19.63	29.96	20.1	29.58
9325.00	19:19	30.42	19.77	29.84	20:16	29.45
9350.00	19:24	30.40	19.88	29.75	20:26	29.37
9375.00	19:27	30.39	19.96	29.70	20:34	29.32
9400.00	19:28	30.41	8:00 pm	29.68	20:38	29.31
9425.00	19:23	30.47	8:00 pm	29.71	20:37	29.33
9450.00	19:17	30.56	19.98	29.75	20:35	29.37
9475.00	9.19	30.67	19.93	29.82	20:31	29.44
9500.00	18.99	30.78	19.87	29.90	20:24	29.53
9525.00	18.90	30.90	19.80	30.00	20:17	29.63
9550.00	18.78	31.04	19.72	30.10	9.20	29.73
9575.00	18.67	31.17	19.63	30.21	8:00 pm	29.84
9600.00	18:55	31.31	19:55	30.31	19.91	29.95
9625.00	18:42	31.46	19:46	30.42	19.82	30.07
9650.00	18:29	31.62	19:36	30.55	19.72	30.19
9675.00	18:16	31.77	19:24	30.69	19.61	30.33
9700.00	1.18	31.94	19:13	30.83	19:49	30.46
9725.00	17.84	32.14	18.99	30.99	19:36	30.62
9750.00	17.68	32.32	18.85	31.15	19:22	30.78
9775.00	17:53	32.49	18.71	31.31	19.8	30.94
9800.00	17:36	32.68	18:56	31.49	18.93	31.12
9825.00	17:19	32.88	18:42	31.65	18.78	31.29
9850.00	1.17	33.08	18:27	31.82	18.63	31.46
9875.00	16.84	33.27	18:11	32.00	18.46	31.65
9900.00	16.68	33.45	17.97	32.17	18:32	31.81
9925.00	16:49	33.67	17.82	32.34	18:17	31.99
9950.00	16:29	33.88	17.66	32.52	1.18	32.17
9975.00	16:11	34.09	17:49	32.71	17.84	32.36
<u>10000.00</u>	15.90	34.32	17:30	32.92	17.65	32.57
<u>10025.00</u>	15.68	34.56	17:13	33.11	17:47	32.78
<u>10050.00</u>	15:46	34.81	16.95	33.31	17:29	32.97

SCHWARZBECK MESS - ELECTRONICS

On the blade 29 D-69250 Schönau Tel .: 06228/1001 Fax .: (49) 6228/1003

Double leg broadband horn antenna BBHA 9120 B Double Ridged Broadband Horn Antenna BBHA 9120 B

Frequency MHz	Gain (Isotr.) 1 m Apert.	Ant.-Factor 1 m Apert.	Gain (Isotr.) 3 m Apert.	Ant.-Factor 3 m Apert.	Gain (Isotr.) Farfield	Ant.-Factor Farfield
	dBi	dB / m	dBi	dB / m	dBi	dB / m
10075.00	15:22	35.07	16.76	33.53	9.17	33.20
10100.00	14.97	35.34	16:55	33.76	16.89	33.42
10125.00	14.72	35.61	16:34	33.99	16.67	33.66
10150.00	14:44	35.91	16:11	34.24	16:44	33.91
10175.00	14:15	36.23	15.88	34.49	16:21	34.16
10200.00	13.82	36.57	15.62	34.77	15.95	34.44
10225.00	13:49	36.92	15:32	35.09	15.64	34.77
10250.00	13:13	37.31	14.99	35.44	15:30	35.13
10275.00	12.70	37.75	14.64	35.81	14.93	35.52
10300.00	12:19	38.29	14:23	36.25	14:53	35.95
10325.00	11.68	38.81	13.80	36.69	8.14	36.42
10350.00	11:45	39.06	13:57	36.95	13.83	36.69
10375.00	11:10	39.43	13:31	37.23	13:57	36.97
10400.00	10.71	39.85	5.13	37.51	13:30	37.26

VSWR

