

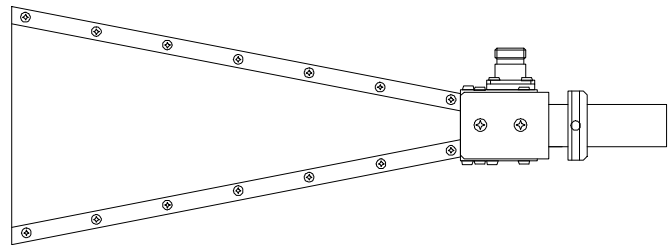
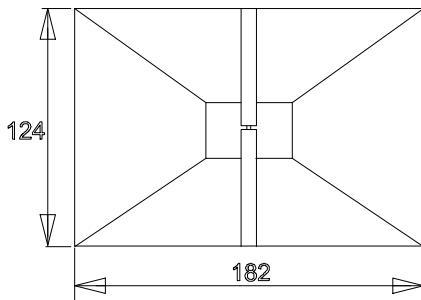
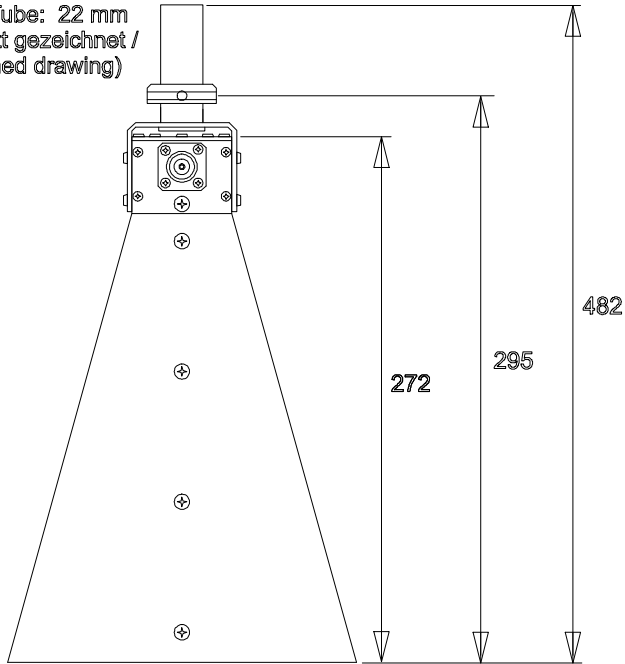
# SCHWARZBECK MESS - ELECTRONICS

On the blade 29 D-69250 Schönau Tel.: 06228/1001 Fax.: (49) 6228/1003

## Double leg broadband horn antenna BBHA 9120 B

### Double Ridged Broadband Horn BBHA 9120 B

Rohr / Tube: 22 mm  
(verkürzt gezeichnet /  
shortened drawing)



**frequency / Frequency:**

**profit / gain:**

**conversion factor / Antenna factor:**

**VSWR typ .:**

**Dimensions / Dimensions (B x H x T): 22**

**mm 22 mm tube / Tube:**

**Mass / Weight:**

**Max. Input power /**

**Max. Input Power:**

**connection / Connector:**

**Material:**

1:25 - 10 (12) GHz

6-16 dBi

25 - 34dB / m

<2

182 x 124 x 482 mm 22 x

200 mm

1.3 kg

Limited only by connectors /

Limited only by N-connector

N socket / N-female

aluminum