



## 5G NR Measurement

AAS antenna, 40cm AUT

Quiet Zone: 50\*50\*50cm

Freq: 26~40GHz

Quick Assembly (1day)

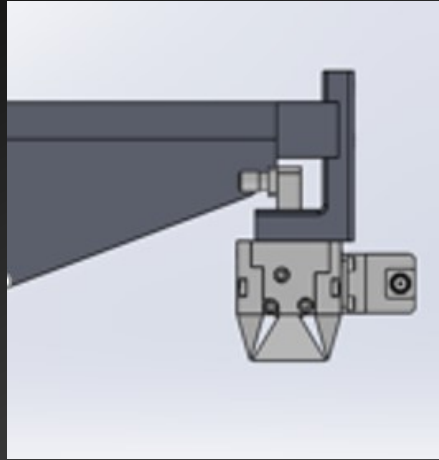
0.1°  $\theta$ & $\Phi$  rotation, 0.1mm X/Y

Source Reconstruction method,

Open to integrated with other software

# OTA Measurement Solutions

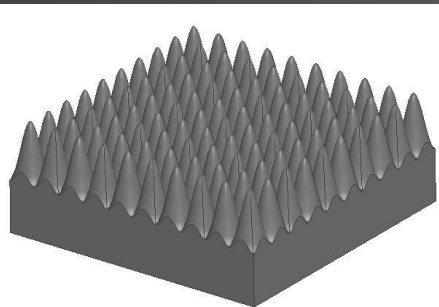
## D&M 1900 Construction



### Sampling Antenna

Freq: 26~40GHz  
Gain:  $\geq 15$ dB

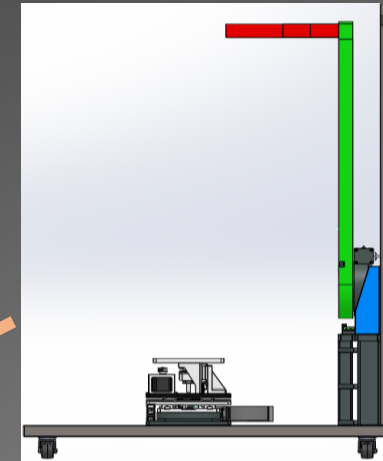
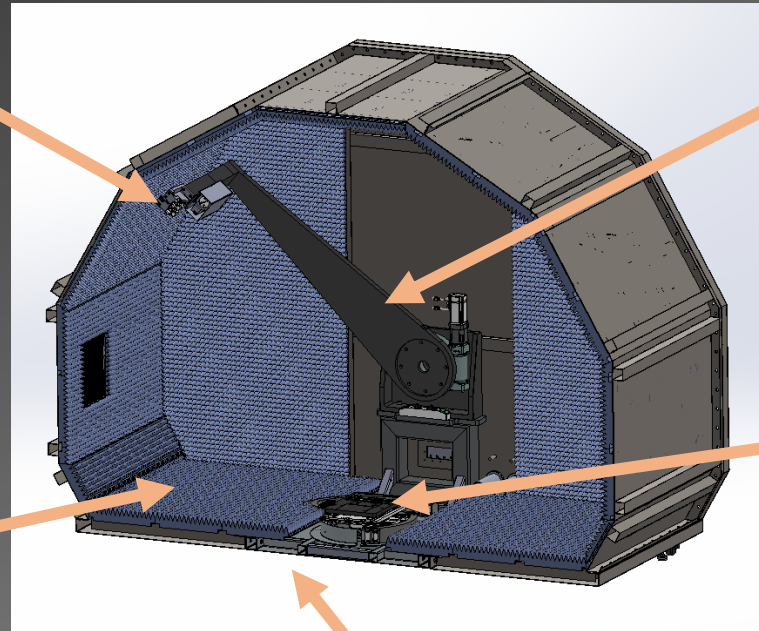
VSWR:  $\leq 2$   
CP:  $\leq -25$ dB@ $\pm 10$ deg



### EPP Absorber

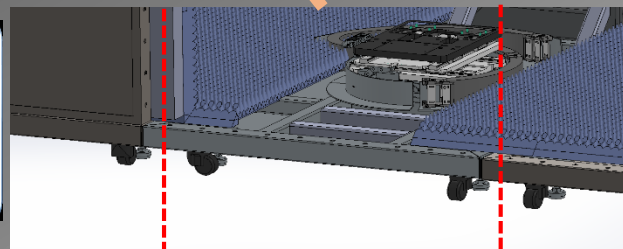
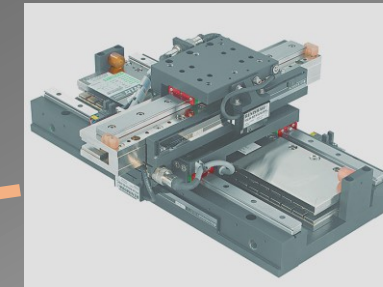
Low moisture absorption  
High mechanical strength

No deformed  
Passive intermodulation



### Turntable System

Positioning Resolution :  
X/Y axis:  $\pm 0.01$ mm  
Z axis:  $\pm 0.1$ mm  
Phi/Theta:  $0.1^\circ$



### Installation

Three independent assembled structure with wheels, can enter the lift easily, quick delivery.