



R.F. SHIELDED ENCLOSURE
DRAWINGS

FOR

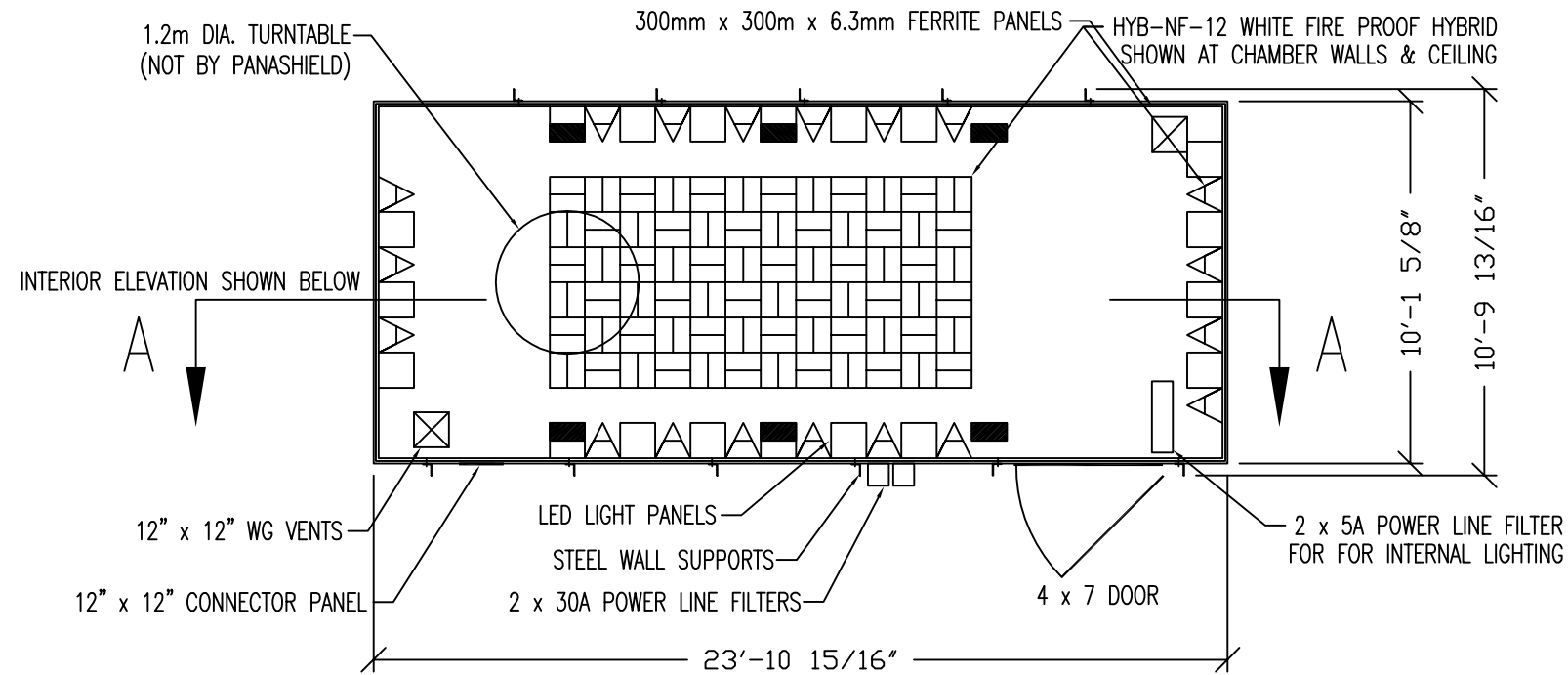
PROJECT : SHIELDED COMPACT ANECHOIC CHAMBER
10' W x 24' LG x 10' H

CUSTOMER : WEATHERFORD PRODUCTION OPTIMIZATION

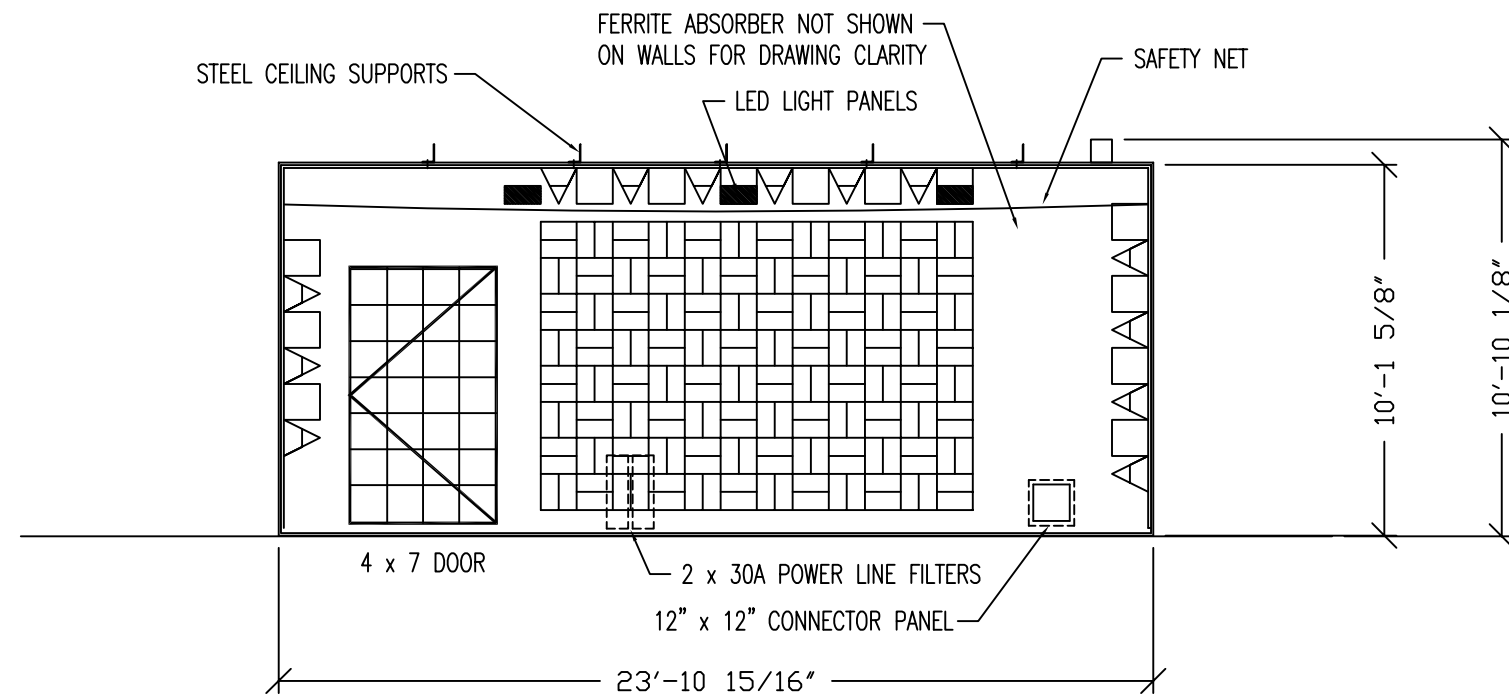
LOCATION : KINGWOOD, TX

APPROVAL DRAWING SET – Revision 2 DATED: 12/1/11

JOB # 11-2308-10



ENCLOSURE PLAN VIEW



INTERIOR ENCLOSURE ELEVATION A - A

[FILENAME=]

ANASHIELD
INC.
RF Shielding / Anechoic Systems & Services
165 W. NORWALK RD., NORWALK, CT 06850 (USA)
TEL: 203-866-5888 FAX: 203-866-6162

THIS DRAWING AND DESIGN INCLUDING ALL NOVEL AND PATENTABLE FEATURES SEPARATELY OR COLLECTIVELY DISCLOSED AND INCLUDED THEREIN ARE THE PROPERTY OF PANASHIELD INC. AND ACCEPTANCE OF THIS PRINT CONSTITUTES AN AGREEMENT THAT IT WILL BE TREATED AS A CONFIDENTIAL DOCUMENT AND WILL BE USED IN THE ASSEMBLY OR REPAIR OF EQUIPMENT DRAWING SHALL NOT BE REPRODUCED, COPIED, LENT, DISCLOSED, PUBLISHED OR DISPOSED OF DIRECTLY OR INDIRECTLY NOR USED FOR ANY PURPOSE OTHER THAN THAT FOR WHICH IT IS SPECIFICALLY FURNISHED EXCEPT AS EXPRESSLY AUTHORIZED IN WRITING BY PANASHIELD INC.

DESCRIPTION : COMPACT ANECHOIC CHAMBER
CUSTOMER : WEATHERFORD PRODUCTION OPTIMIZATION
LOCATION : KINGWOOD, TX

SCALE: = 1'-0"

CUST'S P.O. NO.
SHEET NUMBER 2
G01 OF REV.
DRAWN BY RTL
11/23/11
JOB NUMBER 11-2308-10
CHECKED BY

REV.	REVISION DESCRIPTION	MADE	CHECKED	DATE	REV.	REVISION DESCRIPTION	MADE	CHECKED	DATE
1	RELOCATED DOOR, VENTS, FILTERS & CONNECTOR PANELS TO OTHER SIDE OF THE WALL	RTL		11/30/11	3				
2	REVISED ABSORBER & EQUIPMENT LOCATIONS FOR DOOR CHANGE	RTL		12/1/11	4				


GENERAL NOTES

1. All overall dimensions shown are to the exterior of walls and (or) ceiling.
2. The enclosure assembly site must be clean, dry, free of obstructions and covered. All metallic surfaces such as conduits, ducts and pipes that may make contact to the erected enclosure must be isolated or removed. The floor surface on which the enclosure will rest must be clean, free of irregularities, smooth and level to within 1/8 inch in 10 feet between any two points, not an accumulative value.
4. It will be the responsibility of Panashield to flash patch (or equivalent) the filler joints within the floor modular panels before the installation of finish flooring.
5. The clearance between the enclosure support steel and the parent room walls is 3" to 6" minimum. The clearance between the enclosure support steel the parent room ceiling is 2". This allows adequate clearance for the erection of the steel structure and also insures against grounding. All RF enclosures shall have no physical contact between shielding materials and building constructions.
6. Customer or contractor must provide clean, dry staging area for lay-out and storage of RF room components as close to the location of the RF enclosure area as possible.
7. Contractor / owner to provide adequate trash container(s) for the disposal of expendable material from the enclosure installation and removal from site.
8. Installation crews will require a minimum of two 117 vac, 20 amp service connections for drop cords.

ENCLOSURE INTEGRITY

Once installation crew(s) have vacated the site, it will be the responsibility of the customer to maintain the integrity of the enclosure. Enclosure integrity shall consist of, but not limited to:

1. Maintaining parent room and the enclosure free of any water or moisture incursion.
2. Allow no unauthorized or non-approved connections or attachments to the enclosure.
3. Ensure that no penetrations of the enclosure occur. If the enclosure is inadvertently penetrated, contact Panashield so that remedial repairs can be undertaken.



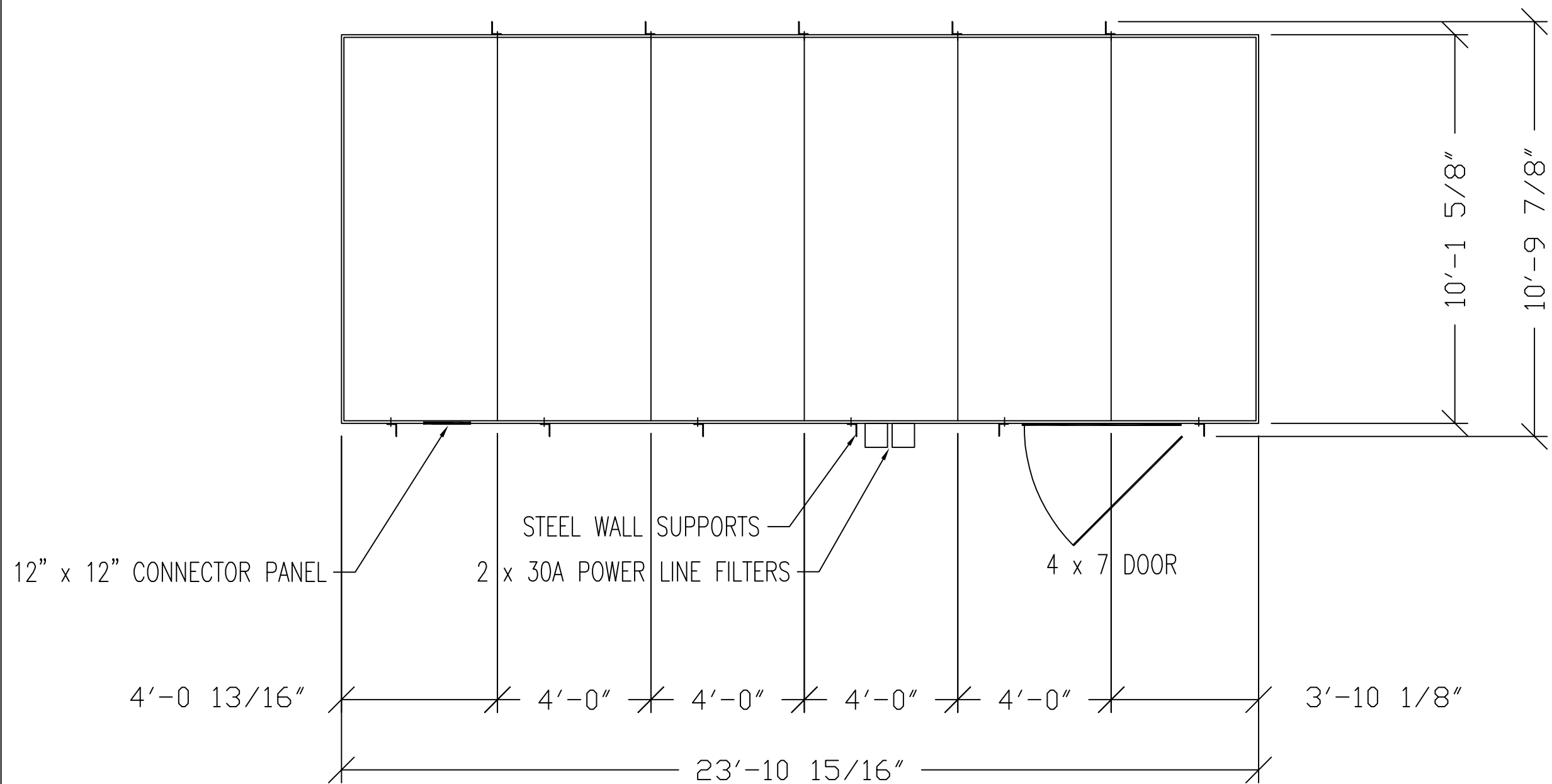
PANASHIELD
INC.
RF Shielding / Anechoic Systems & Services
185 W. NORWALK RD. #R, NORWALK, CT. 06850(USA)
TEL: 203-866-5888 FAX: 203-866-6162

THIS DRAWING AND DESIGN INCLUDING ALL NOVEL AND PATENTABLE FEATURES SEPARATELY OR COLLECTIVELY DISCLOSED AND INCLUDED THEREIN ARE THE PROPERTY OF PANASHIELD INC. AND ACCEPTANCE OF THIS PRINT CONSTITUTES AN AGREEMENT THAT IT WILL BE TREATED AS A CONFIDENTIAL DOCUMENT AND WILL BE USED IN THE ASSEMBLY OR OPERATION OF EQUIPMENT PROVIDED BY PANASHIELD INC. THIS DRAWING SHALL NOT BE REPRODUCED, COPIED, LENT, DISCLOSED, PUBLISHED OR DISPOSED OF DIRECTLY OR INDIRECTLY NOR USED FOR ANY PURPOSE OTHER THAN THAT FOR WHICH IT IS SPECIFICALLY FURNISHED EXCEPT AS EXPRESSLY AUTHORIZED IN WRITING BY PANASHIELD INC.

DESCRIPTION : SHIELDED COMPACT ANECHOIC CHAMBER
CUSTOMER : WEATHERFORD PRODUCTION OPTIMIZATION
LOCATION : KINGWOOD, TX

SCALE: = 1'-0"

1	REVISION LEVEL UPDATE, NO DRAWING CHANGE	RTL		11/30/11	3					CUST'S P.O. NO.	SHEET NUMBER	2
2	REVISION LEVEL UPDATE, NO DRAWING CHANGE	RTL		12/1/11	4					DRAWN BY RTL 11/23/11	NTS OF	REV.
REV.	REVISION DESCRIPTION	MADE	CHECKED	DATE	REV.	REVISION DESCRIPTION	MADE	CHECKED	DATE	CHECKED BY	JOB NUMBER	11-2308-10



RF SHIELDING FLOOR PANEL LAYOUT

[FILENAME=]

PANASHIELD
INC.
RF Shielding / Anechoic Systems & Services
185 W. NORWALK RD., NORWALK, CT. 06850 (USA)
TEL: 203-866-5888 FAX: 203-866-6162

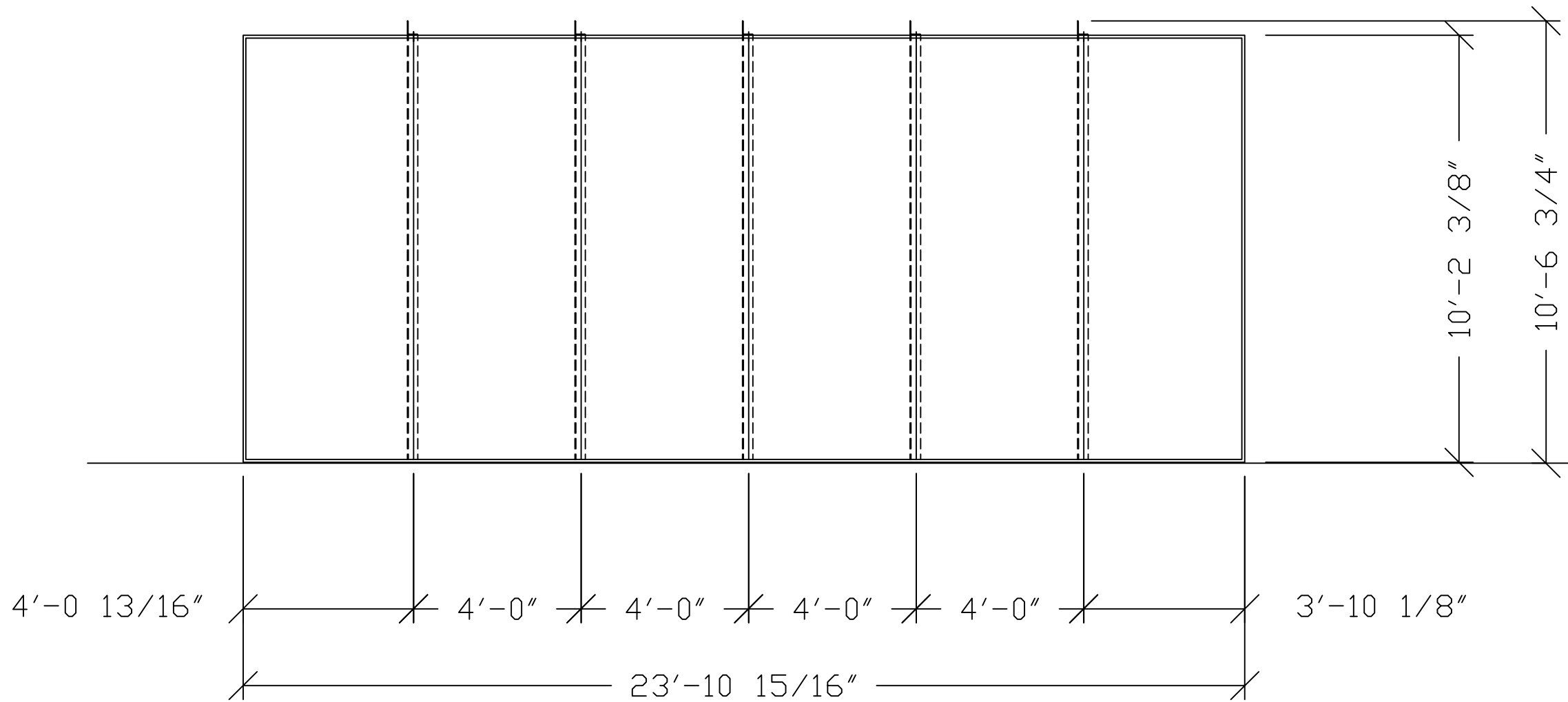
THIS DRAWING AND DESIGN INCLUDING ALL NOVEL AND PATENTABLE FEATURES SEPARATELY OR COLLECTIVELY DISCLOSED AND INCLUDED THEREIN ARE THE PROPERTY OF PANASHIELD INC. AND ACCEPTANCE OF THIS PRINT CONSTITUTES AN AGREEMENT THAT IT WILL BE TREATED AS A CONFIDENTIAL DOCUMENT AND WILL BE USED IN THE ASSEMBLY OR OPERATION OF EQUIPMENT FURNISHED BY PANASHIELD INC. THIS DRAWING SHALL NOT BE REPRODUCED, COPIED, LENT, DISCLOSED, PUBLISHED OR DISPOSED OF DIRECTLY OR INDIRECTLY NOR USED FOR ANY PURPOSE OTHER THAN THAT FOR WHICH IT IS SPECIFICALLY FURNISHED EXCEPT AS EXPRESSLY AUTHORIZED IN WRITING BY PANASHIELD INC.

DESCRIPTION : COMPACT ANECHOIC CHAMBER
CUSTOMER : WEATHERFORD PRODUCTION OPTIMIZATION
LOCATION : KINGWOOD, TX

SCALE: = 1'-0"

REV.	REVISION DESCRIPTION	MADE	CHECKED	DATE	REV.	MADE	CHECKED	DATE	CHECKED BY
1	RELOCATED DOOR, FILTERS & CONNECTOR PANEL TO OTHER SIDE OF THE WALL	RTL		11/30/11	3				
2	REVISION LEVEL UPDATE, NO DRAWING CHANGE	RTL		12/1/30	4				RTL 11/23/11

CUST'S P.O. NO.	SHEET NUMBER A01 OF	2 REV.
JOB NUMBER 11-2308-10		



INTERIOR RF SHIELDING WALL PANEL ELEVATION "A"

[FILENAME=]

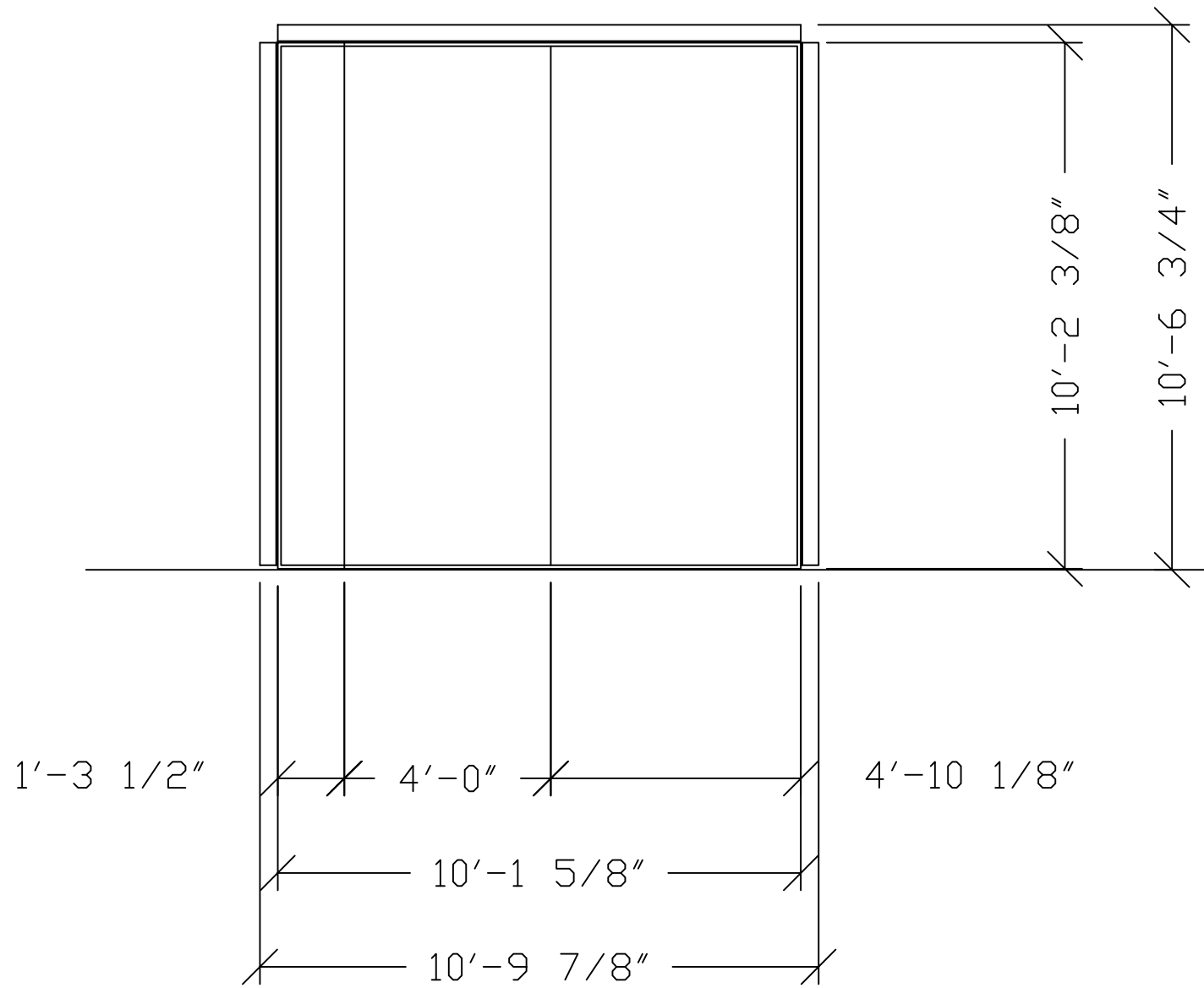
PANASHIELD
 INC.
 RF Shielding / Anechoic Systems & Services
 185 W. NORWALK RD., NORWALK, CT. 06850 (USA)
 TEL: 203-666-5688 FAX: 203-666-6162

THIS DRAWING AND DESIGN INCLUDING ALL NOVEL AND PATENTABLE FEATURES SEPARATELY OR COLLECTIVELY DISCLOSED AND INCLUDED THEREIN ARE THE PROPERTY OF PANASHIELD INC. AND ACCEPTANCE OF THIS PRINT CONSTITUTES AN AGREEMENT THAT IT WILL BE TREATED AS A CONFIDENTIAL DOCUMENT AND WILL BE USED IN THE ASSEMBLY OR REPAIR OF EQUIPMENT FURNISHED BY PANASHIELD INC. PANASHIELD SHALL NOT BE REPRODUCED, COPIED, LENT, DISCLOSED, PUBLISHED OR USED FOR ANY PURPOSE OTHER THAN THAT FOR WHICH IT IS SPECIFICALLY FURNISHED EXCEPT AS EXPRESSLY AUTHORIZED IN WRITING BY PANASHIELD INC.

DESCRIPTION : COMPACT ANECHOIC CHAMBER
 WEATHERFORD PRODUCTION
 CUSTOMER : OPTIMIZATION
 LOCATION : KINGWOOD, TX

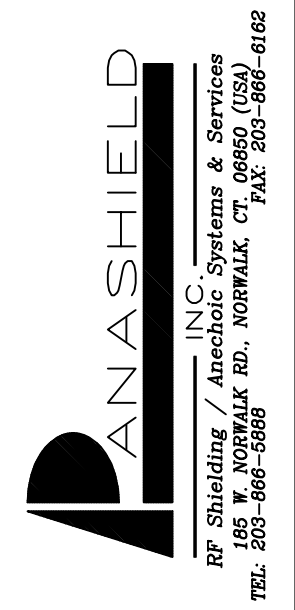
SCALE: = 1'-0"
 SHEET NUMBER 2
 A02 OF REV.
 JOB NUMBER
 11-2308-10

REV.	REVISION DESCRIPTION	MADE	CHECKED	DATE	REV.	REVISION DESCRIPTION	MADE	CHECKED	DATE	CUST'S P.O. NO.	DRAWN BY	CHECKED BY
1	REVISION LEVEL UPDATE, NO DRAWING CHANGE	RTL		11/30/11	3							
2	REVISION LEVEL UPDATE, NO DRAWING CHANGE	RTL		12/1/11	4						RTL 11/23/11	



INTERIOR RF SHIELDING WALL PANEL ELEVATION "B"

[FILENAME=]



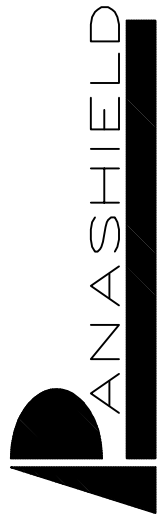
THIS DRAWING AND DESIGN INCLUDING ALL NOVEL AND PATENTABLE FEATURES SEPARATELY OR COLLECTIVELY DISCLOSED AND INCLUDED THEREIN ARE THE PROPERTY OF PANASHIELD INC. AND ACCEPTANCE OF THIS PRINT CONSTITUTES AN AGREEMENT THAT IT WILL BE TREATED AS A CONFIDENTIAL DOCUMENT AND WILL BE USED IN THE ASSEMBLY OR OPERATION OF EQUIPMENT DRAWING BY OR FOR PANASHIELD INC. THIS DRAWING SHALL NOT BE REPRODUCED, COPIED, LENT, DISCLOSED, PUBLISHED OR DISPOSED OF DIRECTLY OR INDIRECTLY NOR USED FOR ANY PURPOSE OTHER THAN THAT FOR WHICH IT IS SPECIFICALLY FURNISHED EXCEPT AS EXPRESSLY AUTHORIZED IN WRITING BY PANASHIELD INC.

DESCRIPTION : COMPACT ANECHOIC CHAMBER
 CUSTOMER : WEATHERFORD PRODUCTION OPTIMIZATION
 LOCATION : KINGWOOD, TX

SCALE: = 1'-0"

CUST'S P.O. NO.	SHEET NUMBER	2
	A03 OF	REV.
DRAWN BY RTL 11/23/11	JOB NUMBER	
CHECKED BY	11-2308-10	

REV.	REVISION DESCRIPTION	MADE	CHECKED	DATE	REV.	REVISION DESCRIPTION	MADE	CHECKED	DATE
1	REVISION LEVEL UPDATE, NO DRAWING CHANGE	RTL		11/30/11	3				
2	REVISION LEVEL UPDATE, NO DRAWING CHANGE	RTL		12/1/11	4				

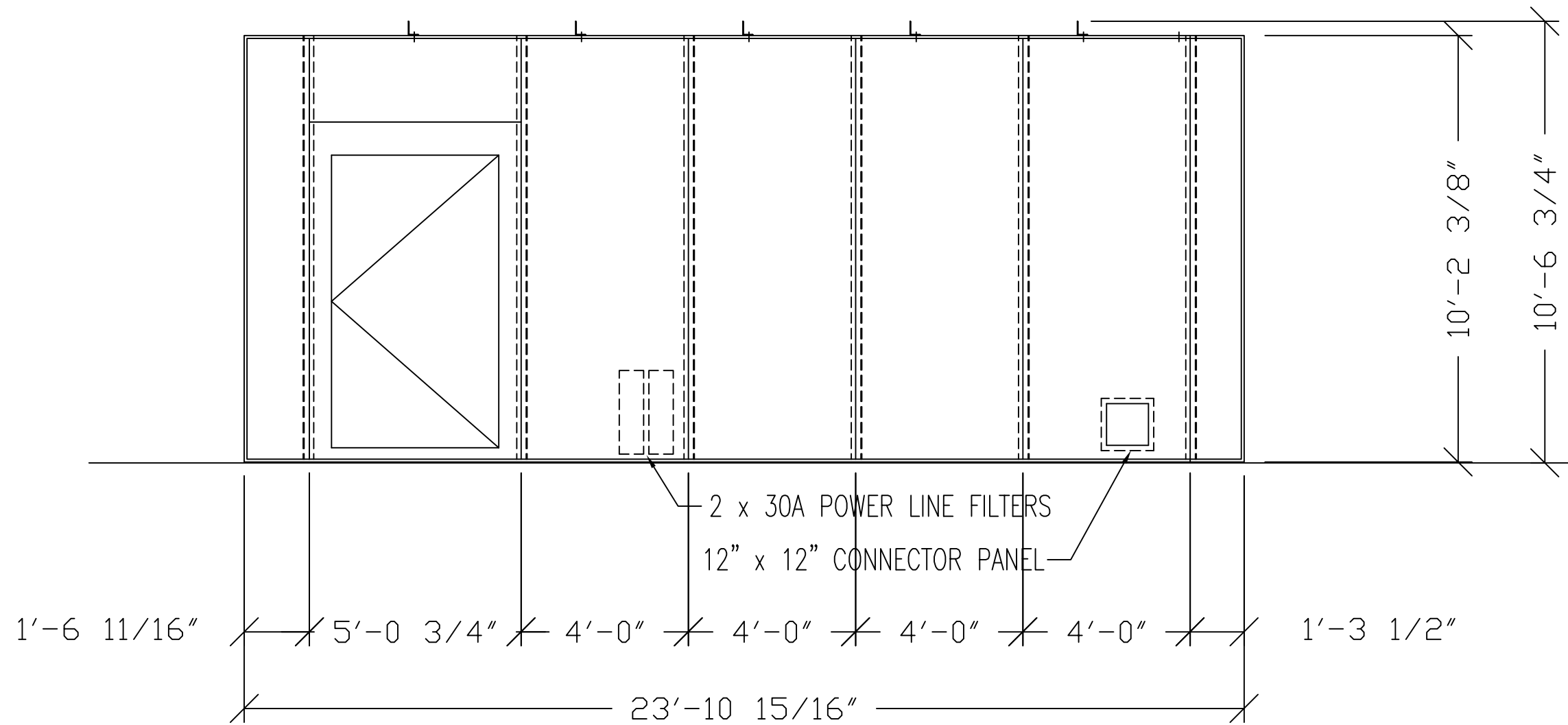


INC.
 RF Shielding / Anechoic Systems & Services
 165 W. NORWALK RD., NORWALK, CT. 06850 (USA)
 TEL: 203-866-5888 FAX: 203-866-6182

THIS DRAWING AND DESIGN INCLUDING ALL NOVEL AND PATENTABLE FEATURES SEPARATELY OR COLLECTIVELY DISCLOSED AND INCLUDED THEREIN ARE THE PROPERTY OF PANASHIELD INC. AND ACCEPTANCE OF THIS PRINT CONSTITUTES AN AGREEMENT THAT IT WILL BE TREATED AS A CONFIDENTIAL DOCUMENT AND WILL BE USED IN THE ASSEMBLY OR REPAIR OF EQUIPMENT DRAWING BY PANASHIELD INC. OR ITS AFFILIATES. IT SHALL NOT BE REPRODUCED, COPIED, LENT, DISCLOSED, PUBLISHED OR USED FOR ANY PURPOSE OTHER THAN THAT FOR WHICH IT IS SPECIFICALLY FURNISHED EXCEPT AS EXPRESSLY AUTHORIZED IN WRITING BY PANASHIELD INC.

DESCRIPTION : COMPACT ANECHOIC CHAMBER
 WEATHERFORD PRODUCTION
 CUSTOMER : OPTIMIZATION
 LOCATION : KINGWOOD, TX

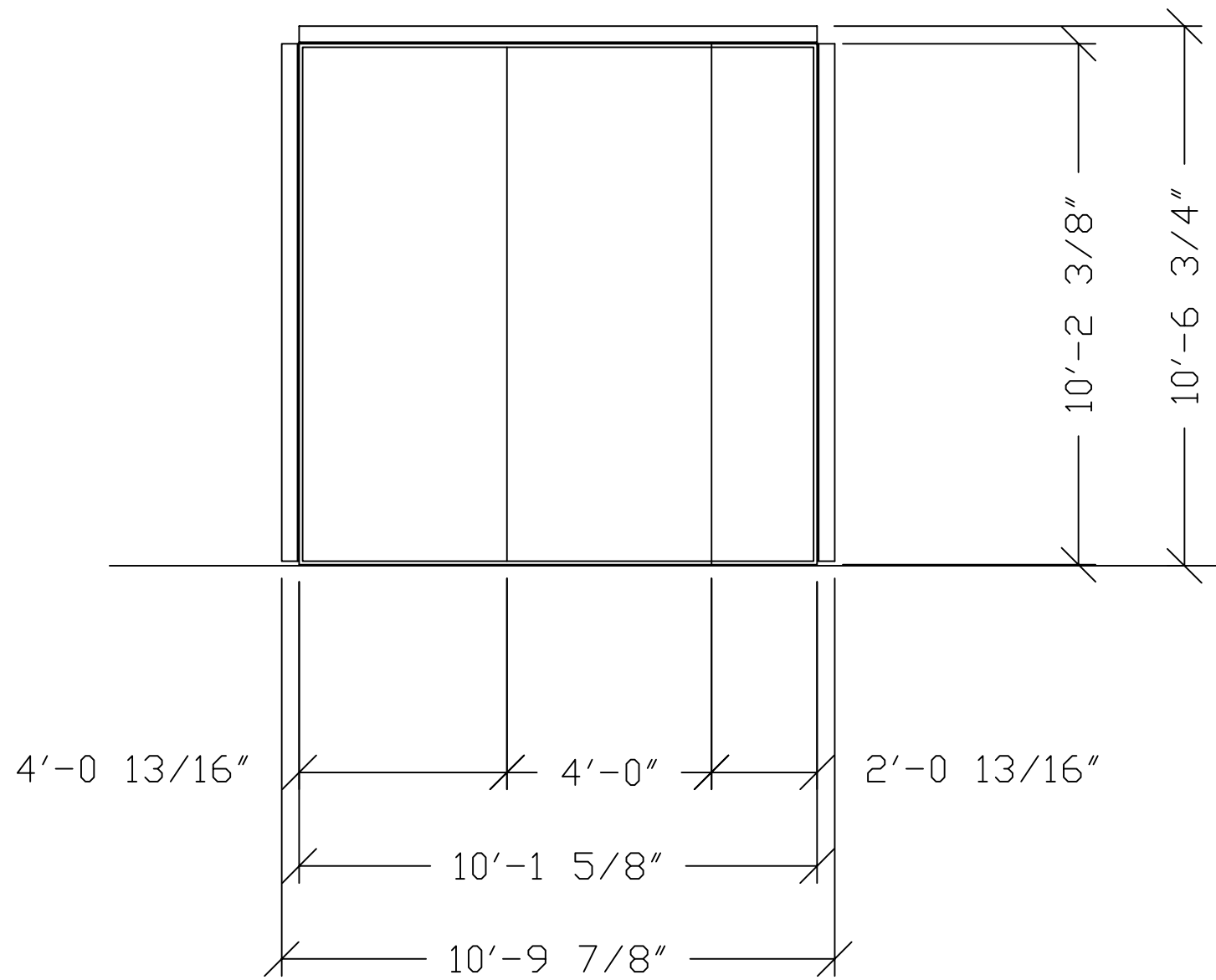
SCALE: = 1'-0"
 SHEET NUMBER A04 OF 2 REV.
 JOB NUMBER 11-2308-10



INTERIOR RF SHIELDING WALL PANEL ELEVATION "C"

[FILENAME=]

REV.	REVISION DESCRIPTION	MADE	CHECKED	DATE	REV.	REVISION DESCRIPTION	MADE	CHECKED	DATE	CHECKED BY	CUST'S P.O. NO.	SHEET NUMBER	REV.
1	RELOCATED DOOR, FILTERS & CONNECTOR PANEL TO THE OTHER SIDE OF THE WALL	RTL		11/30/11	3							A04	2
2	REVISION LEVEL UPDATE, NO DRAWING CHANGE	RTL		12/1/11	4					RTL 11/23/11			
												11-2308-10	



INTERIOR RF SHIELDING WALL PANEL ELEVATION "D"

[FILENAME=]

PANASHIELD
 INC.
 RF Shielding / Anechoic Systems & Services
 185 W. NORWALK RD., NORWALK, CT 06850 (USA)
 TEL: 203-866-5888 FAX: 203-866-6162

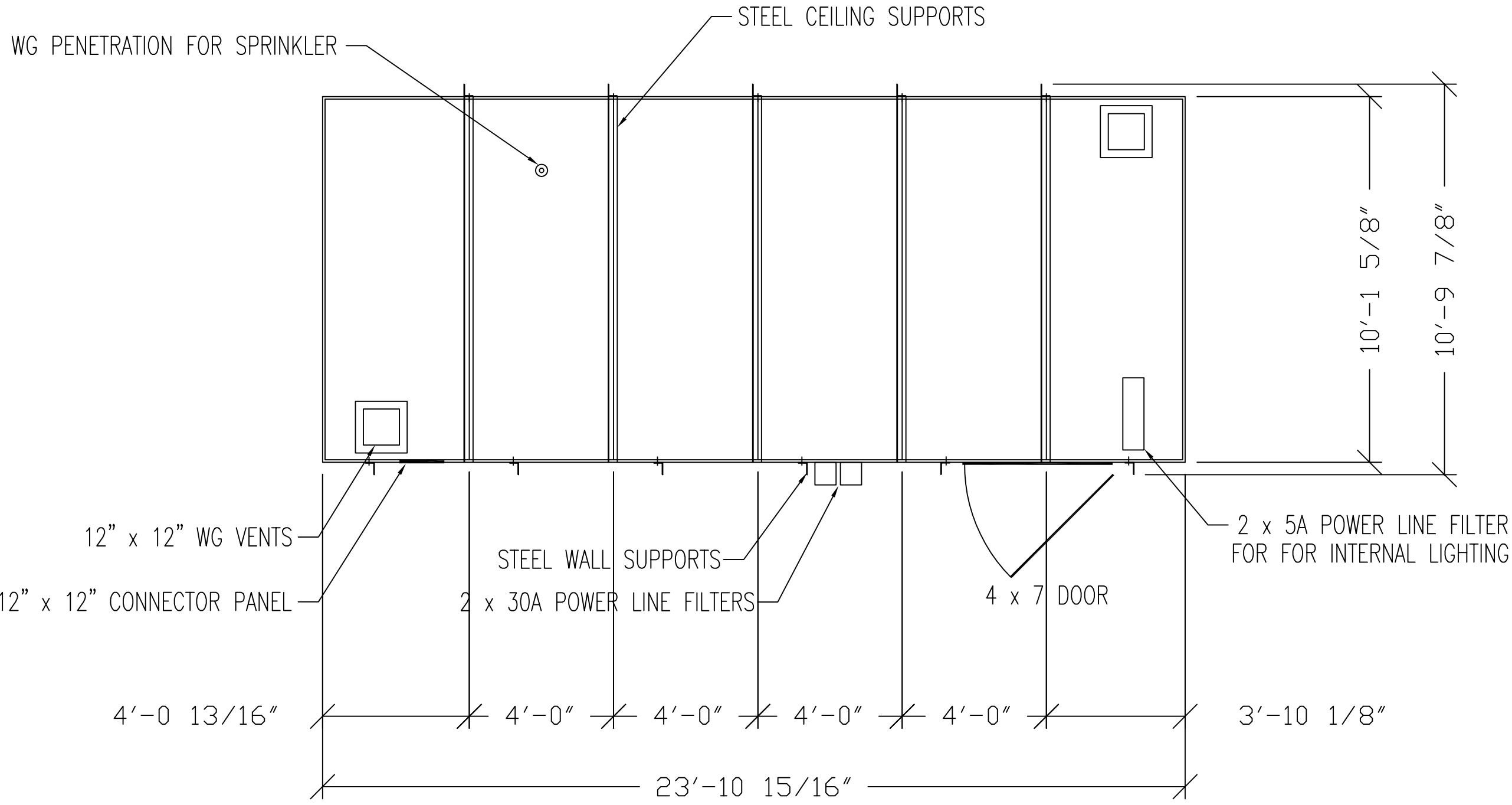
THIS DRAWING AND DESIGN INCLUDING ALL NOVEL AND PATENTABLE FEATURES SEPARATELY OR COLLECTIVELY DISCLOSED AND INCLUDED THEREIN ARE THE PROPERTY OF PANASHIELD INC. AND ACCEPTANCE OF THIS PRINT CONSTITUTES AN AGREEMENT THAT IT WILL BE TREATED AS A CONFIDENTIAL DOCUMENT AND WILL BE USED IN THE ASSEMBLY OR REPAIR OF EQUIPMENT THIS DRAWING SHALL NOT BE REPRODUCED, COPIED, LENT, DISCLOSED, PUBLISHED OR USED FOR ANY PURPOSE OTHER THAN THAT FOR WHICH IT IS SPECIFICALLY FURNISHED EXCEPT AS EXPRESSLY AUTHORIZED IN WRITING BY PANASHIELD INC.

DESCRIPTION : COMPACT ANECHOIC CHAMBER
 WEATHERFORD PRODUCTION
 CUSTOMER : OPTIMIZATION
 LOCATION : KINGWOOD, TX

SCALE: = 1'-0"

SHEET NUMBER 2
 A05 OF REV.
 JOB NUMBER 11-2308-10

REV.	REVISION DESCRIPTION	MADE	CHECKED	DATE	REV.	REVISION DESCRIPTION	MADE	CHECKED	DATE	CHECKED BY	CUST'S P.O. NO.
1	REVISION LEVEL UPDATE, NO DRAWING CHANGE	RTL		11/30/11	3						
2	REVISION LEVEL UPDATE, NO DRAWING CHANGE	RTL		12/1/11	4					RTL 11/23/11	



RF SHIELDING CEILING PANEL LAYOUT

[FILENAME=]

PANASHIELD
 INC.
 RF Shielding / Anechoic Systems & Services
 185 W. NORWALK RD., NORWALK, CT. 06850 (USA)
 TEL: 203-666-6888 FAX: 203-666-6162

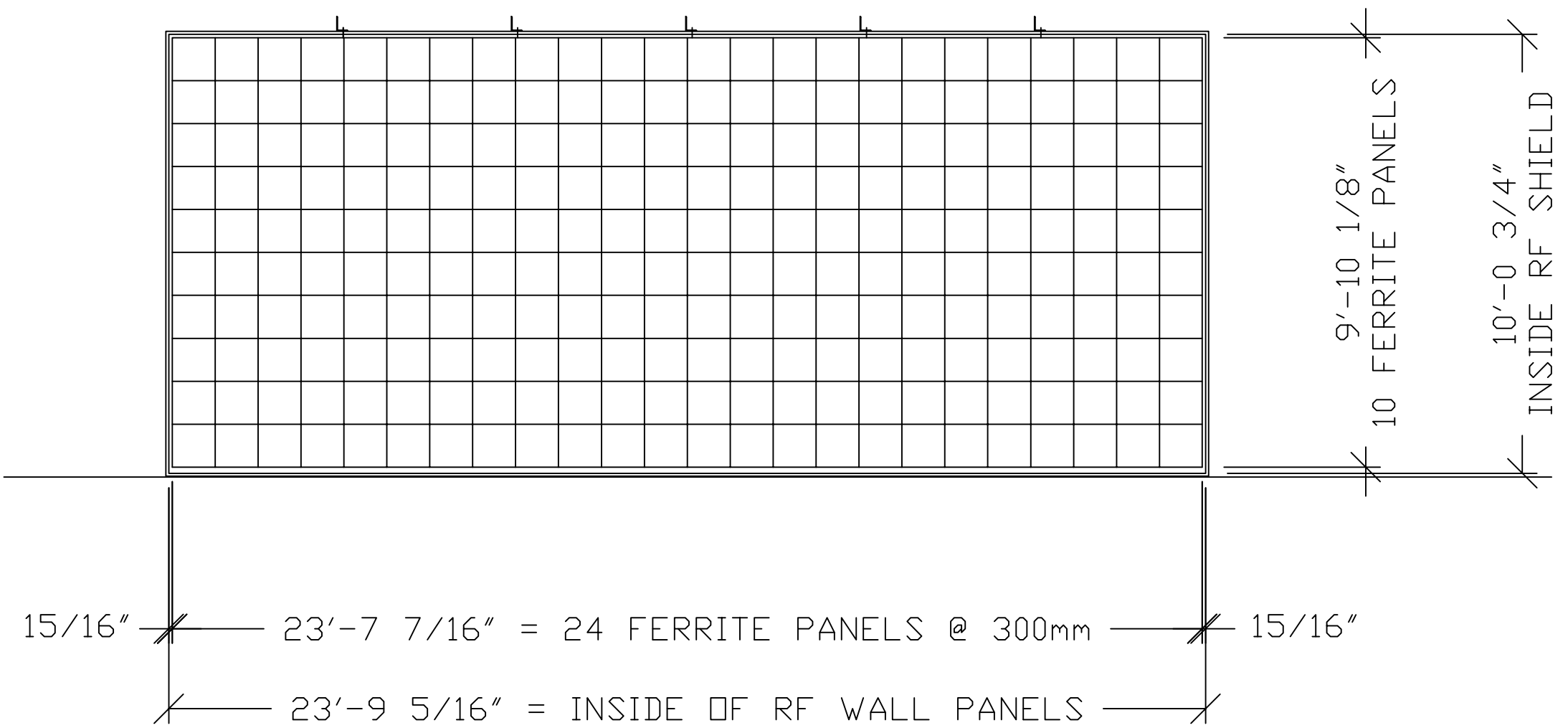
THIS DRAWING AND DESIGN INCLUDING ALL NOVEL AND PATENTABLE FEATURES SEPARATELY OR COLLECTIVELY DISCLOSED AND INCLUDED THEREIN ARE THE PROPERTY OF PANASHIELD INC. AND ACCEPTANCE OF THIS PRINT CONSTITUTES AN AGREEMENT THAT IT WILL BE TREATED AS A CONFIDENTIAL DOCUMENT AND WILL BE USED IN THE ASSEMBLY OR REPAIR OF EQUIPMENT DRAWING SHALL NOT BE REPRODUCED, COPIED, LENT, DISCLOSED, PUBLISHED OR USED FOR ANY PURPOSE OTHER THAN THAT FOR WHICH IT IS SPECIFICALLY FURNISHED EXCEPT AS EXPRESSLY AUTHORIZED IN WRITING BY PANASHIELD INC.

DESCRIPTION : COMPACT ANECHOIC CHAMBER
 WEATHERFORD PRODUCTION
 CUSTOMER : OPTIMIZATION
 LOCATION : KINGWOOD, TX

SCALE: = 1'-0"
 SHEET NUMBER A06 OF 2 REV.
 JOB NUMBER 11-2308-10

REV.	REVISION DESCRIPTION	MADE	CHECKED	DATE	REV.	REVISION DESCRIPTION	MADE	CHECKED	DATE	CHECKED BY
1	RELOCATED DOOR, FILTERS & CONNECTOR PANEL TO THE OTHER SIDE OF THE WALL	RTL		11/30/11	3					
2	REVISION LEVEL UPDATE, NO DRAWING CHANGE	RTL		12/1/11	4					RTL 11/23/11

CUST'S P.O. NO.
 DRAWN BY
 CHECKED BY



15/16" — 23'-7 7/16" = 24 FERRITE PANELS @ 300mm — 15/16"

— 23'-9 5/16" = INSIDE OF RF WALL PANELS —

INTERIOR FERRITE TREATMENT ON WALL ELEVATION "A"

[FILENAME=]

PANASHIELD
INC.
RF Shielding / Anechoic Systems & Services
185 W. NORWALK RD., NORWALK, CT 06850 (USA)
TEL: 203-866-5888 FAX: 203-866-8162

THIS DRAWING AND DESIGN INCLUDING ALL NOVEL AND PATENTABLE FEATURES SEPARATELY OR COLLECTIVELY DISCLOSED AND INCLUDED THEREIN ARE THE PROPERTY OF PANASHIELD INC. AND ACCEPTANCE OF THIS PRINT CONSTITUTES AN AGREEMENT THAT IT WILL BE TREATED AS A CONFIDENTIAL DOCUMENT AND WILL BE USED IN THE ASSEMBLY OR OPERATION OF EQUIPMENT FURNISHED BY OR FOR PANASHIELD INC. COPIES SHALL NOT BE REPRODUCED, COPIED, LENT, DISCLOSED, PUBLISHED OR DISPOSED OF DIRECTLY OR INDIRECTLY NOR USED FOR ANY PURPOSE OTHER THAN THAT FOR WHICH IT IS SPECIFICALLY FURNISHED EXCEPT AS EXPRESSLY AUTHORIZED IN WRITING BY PANASHIELD INC.

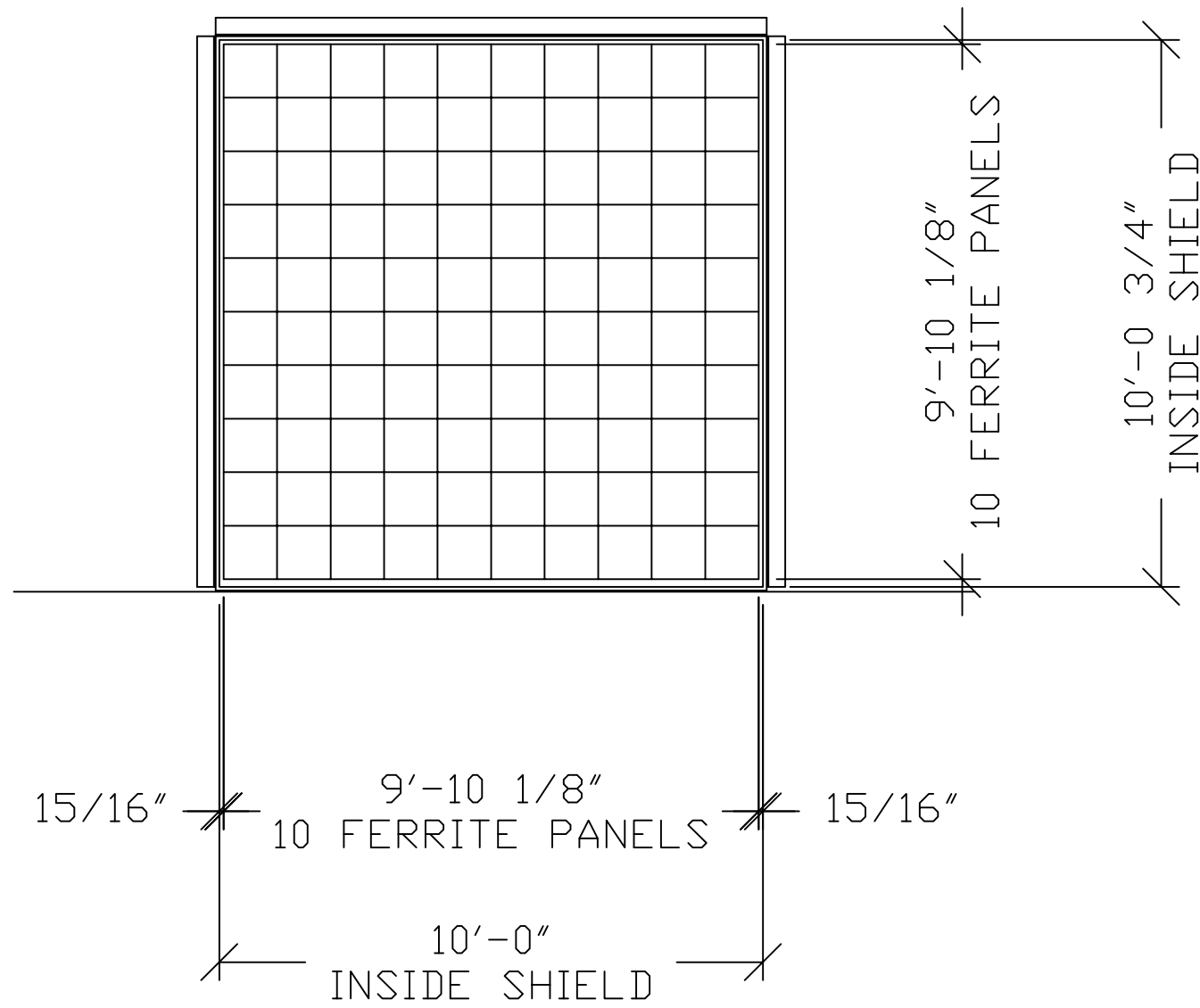
DESCRIPTION : COMPACT ANECHOIC CHAMBER
WEATHERFORD PRODUCTION
CUSTOMER : OPTIMIZATION
LOCATION : KINGWOOD, TX

SCALE: = 1'-0"

SHEET NUMBER
A07 OF 2
REV.

JOB NUMBER
11-2308-10

REV.	REVISION DESCRIPTION	MADE	CHECKED	DATE	REV.	REVISION DESCRIPTION	MADE	CHECKED	DATE	CHECKED BY	CUST'S P.O. NO.	DRAWN BY	RTL
1	REVISION LEVEL UPDATE NO DRAWING CHANGE		RTL	11/30/11	3								
2	REVISION LEVEL UPDATE NO DRAWING CHANGE		RTL	12/1/11	4							RTL	11/23/11



INTERIOR FERRITE TREATMENT ON WALL ELEVATION "B"

[FILENAME=]

THIS DRAWING AND DESIGN INCLUDING ALL NOVEL AND PATENTABLE FEATURES SEPARATELY OR COLLECTIVELY DISCLOSED AND INCLUDED THEREIN ARE THE PROPERTY OF PANASHIELD INC. AND ACCEPTANCE OF THIS PRINT CONSTITUTES AN AGREEMENT THAT IT WILL BE TREATED AS A CONFIDENTIAL DOCUMENT AND WILL BE USED IN THE ASSEMBLY OR REPAIR OF EQUIPMENT DRAWING SHALL NOT BE REPRODUCED, COPIED, LENT, DISCLOSED, PUBLISHED OR DISPOSED OF DIRECTLY OR INDIRECTLY NOR USED FOR ANY PURPOSE OTHER THAN THAT FOR WHICH IT IS SPECIFICALLY FURNISHED EXCEPT AS EXPRESSLY AUTHORIZED IN WRITING BY PANASHIELD INC.

DESCRIPTION : COMPACT ANECHOIC CHAMBER
 CUSTOMER : WEATHERFORD PRODUCTION OPTIMIZATION
 LOCATION : KINGWOOD, TX

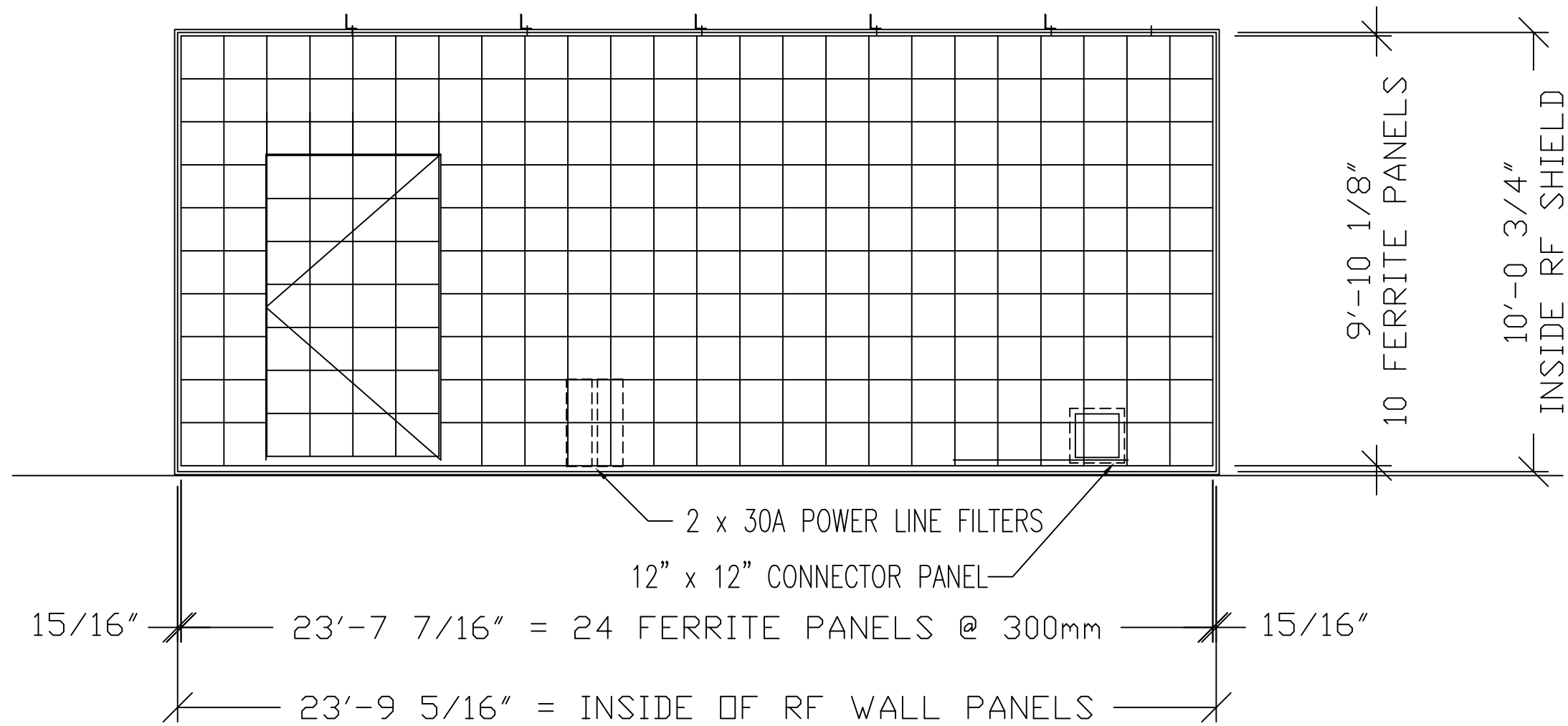
SCALE: = 1'-0"

SHEET NUMBER 2
 A08 OF REV.
 JOB NUMBER
 11-2308-10

PANASHIELD INC.
 RF Shielding / Anechoic Systems & Services
 185 W. NORWALK RD., NORWALK, CT 06850 (USA)
 TEL: 203-866-5888 FAX: 203-866-8162

REV.	REVISION DESCRIPTION	MADE	CHECKED	DATE	REV.	REVISION DESCRIPTION	MADE	CHECKED	DATE
1	REVISION LEVEL UPDATE, NO DRAWING CHANGE	RTL		11/30/11	3				
2	REVISION LEVEL UPDATE, NO DRAWING CHANGE	RTL		12/1/11	4				

CUST'S P.O. NO.	
DRAWN BY	RTL 11/23/11
CHECKED BY	



INTERIOR FERRITE TREATMENT ON WALL ELEVATION "C"

[FILENAME=]

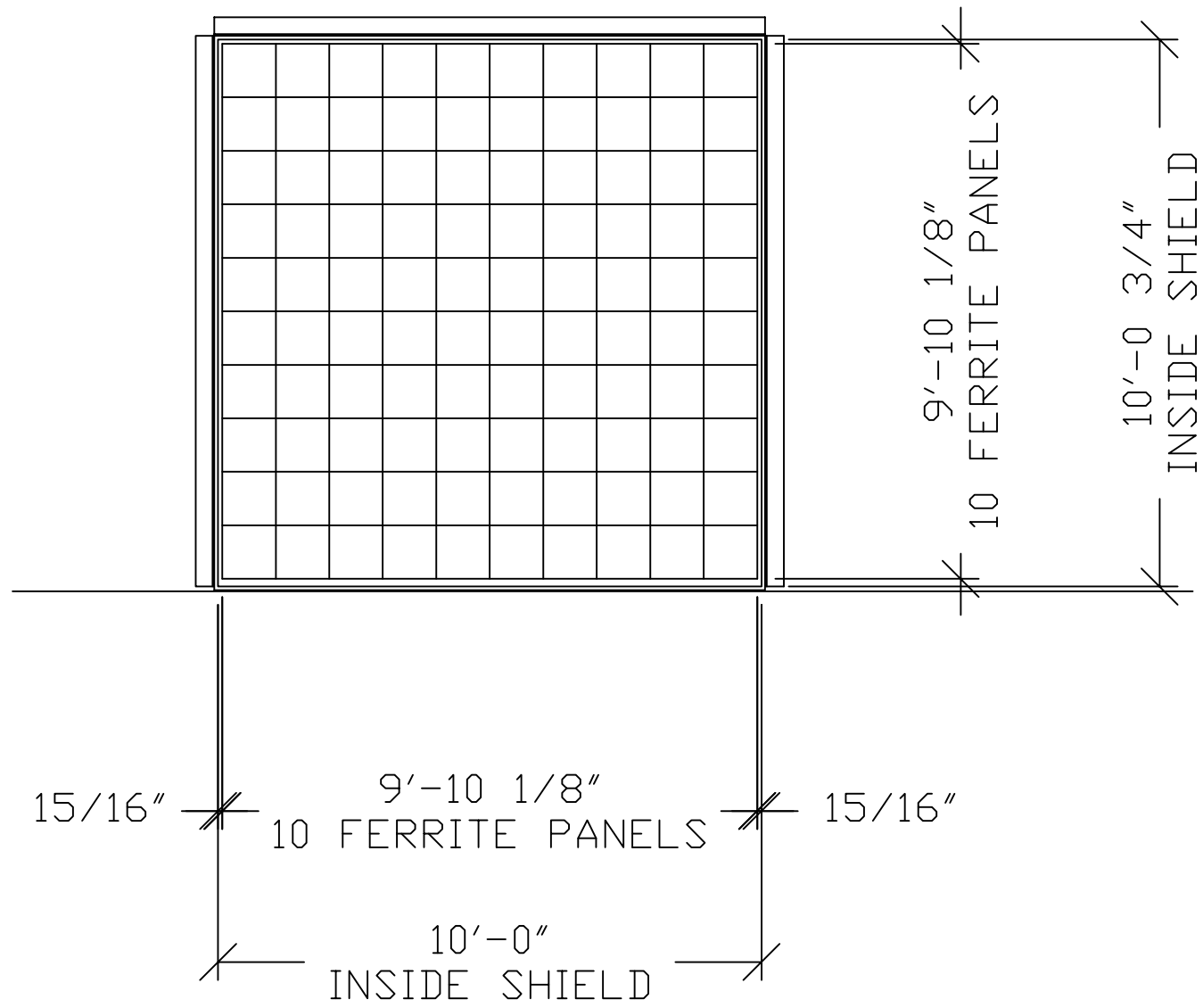
ANASHIELD
 INC.
 RF Shielding / Anechoic Systems & Services
 165 W. NORWALK RD., NORWALK, CT. 06850 (USA)
 TEL: 203-666-5688 FAX: 203-666-6162

THIS DRAWING AND DESIGN INCLUDING ALL NOVEL AND PATENTABLE FEATURES SEPARATELY OR COLLECTIVELY DISCLOSED AND INCLUDED THEREIN ARE THE PROPERTY OF PANASHIELD INC. AND ACCEPTANCE OF THIS PRINT CONSTITUTES AN AGREEMENT THAT IT WILL BE TREATED AS A CONFIDENTIAL DOCUMENT AND WILL BE USED IN THE ASSEMBLY OR PARALLEL OF EQUIPMENTS DRAWING SHALL NOT BE REPRODUCED, COPIED, LENT, DISCLOSED, PUBLISHED OR DISPOSED OF DIRECTLY OR INDIRECTLY NOR USED FOR ANY PURPOSE OTHER THAN THAT FOR WHICH IT IS SPECIFICALLY FURNISHED EXCEPT AS EXPRESSLY AUTHORIZED IN WRITING BY PANASHIELD INC.

DESCRIPTION : COMPACT ANECHOIC CHAMBER
 WEATHERFORD PRODUCTION
 CUSTOMER : OPTIMIZATION
 LOCATION : KINGWOOD, TX

SCALE: = 1'-0"
 SHEET NUMBER A09 OF 2 REV.
 JOB NUMBER 11-2308-10

REV.	REVISION DESCRIPTION	MADE	CHECKED	DATE	REV.	REVISION DESCRIPTION	MADE	CHECKED	DATE	CHECKED BY	CUST'S P.O. NO.
1	MOVED DOOR, FILTERS & CONNECTOR PANEL TO THE OTHER SIDE OF THE WALL		RTL	11/30/11	3						
2	REVISION LEVEL UPDATE, NO DRAWING CHANGE		RTL	12/1/11	4					RTL 11/23/11	



INTERIOR FERRITE TREATMENT ON WALL ELEVATION "D"

[FILENAME=]

THIS DRAWING AND DESIGN INCLUDING ALL NOVEL AND PATENTABLE FEATURES SEPARATELY OR COLLECTIVELY DISCLOSED AND INCLUDED THEREIN ARE THE PROPERTY OF PANASHIELD INC. AND ACCEPTANCE OF THIS PRINT CONSTITUTES AN AGREEMENT THAT IT WILL BE TREATED AS A CONFIDENTIAL DOCUMENT AND WILL BE USED IN THE ASSEMBLY OR REPAIR OF EQUIPMENT DRAWING BY PANASHIELD INC. OR ITS AFFILIATES. IT SHALL NOT BE REPRODUCED, COPIED, LENT, DISCLOSED, PUBLISHED OR USED FOR ANY PURPOSE OTHER THAN THAT FOR WHICH IT IS SPECIFICALLY FURNISHED EXCEPT AS EXPRESSLY AUTHORIZED IN WRITING BY PANASHIELD INC.

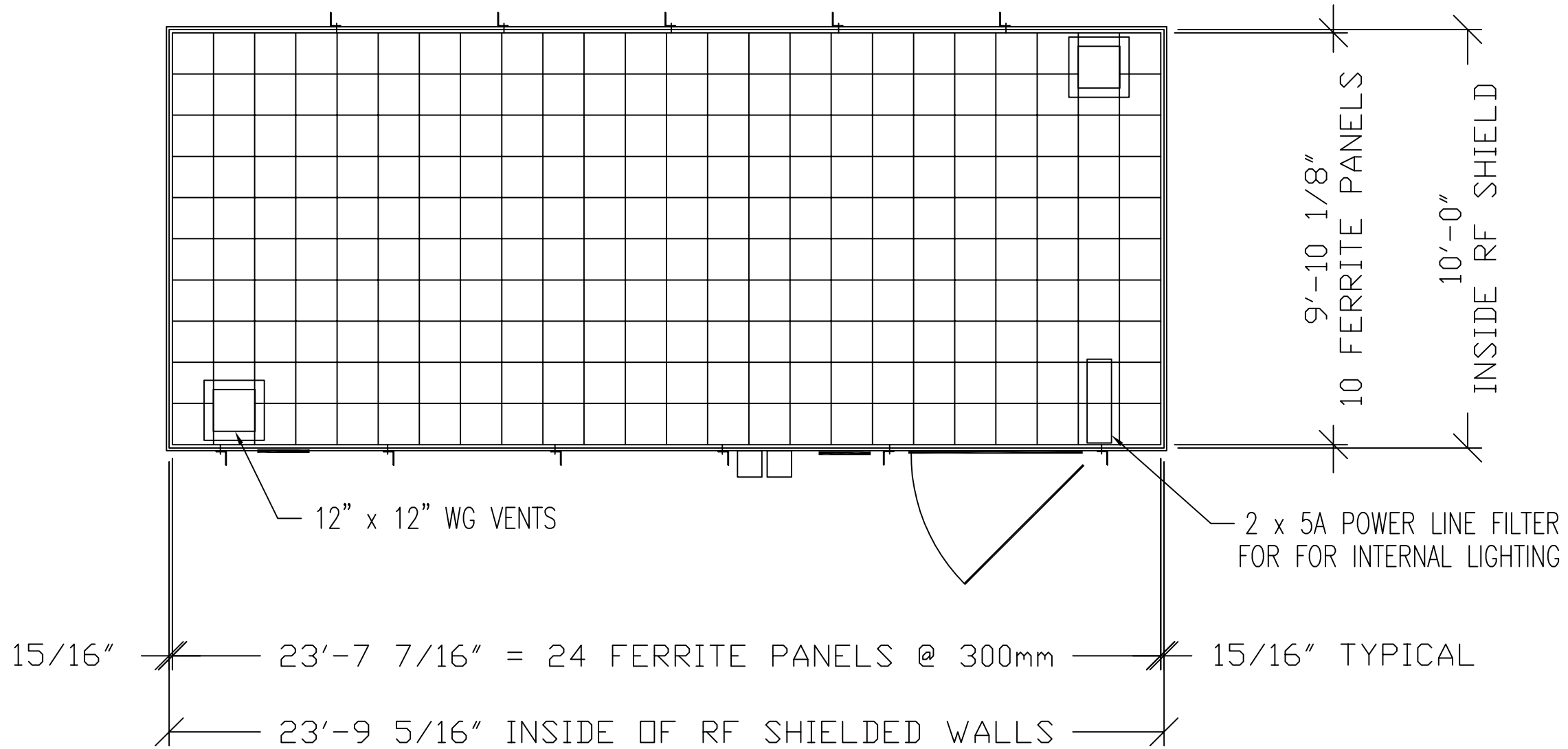
DESCRIPTION : COMPACT ANECHOIC CHAMBER
 CUSTOMER : WEATHERFORD PRODUCTION OPTIMIZATION
 LOCATION : KINGWOOD, TX

SCALE: = 1'-0"

SHEET NUMBER 2
 A10 OF REV.
 JOB NUMBER 11-2308-10

PANASHIELD INC.
 RF Shielding / Anechoic Systems & Services
 165 W. NORWALK RD., NORWALK, CT. 06850 (USA)
 TEL: 203-866-5888 FAX: 203-866-6182

REV.	REVISION DESCRIPTION	MADE	CHECKED	DATE	REV.	REVISION DESCRIPTION	MADE	CHECKED	DATE	CHECKED BY	CUST'S P.O. NO.
1	REVISION LEVEL UPDATE, NO DRAWING CHANGE		RTL	11/30/11	3						
2	REVISION LEVEL UPDATE, NO DRAWING CHANGE		RTL	12/1/11	4					RTL 11/23/11	



FERRITE TILE CEILING LAYOUT

[FILENAME=]

THIS DRAWING AND DESIGN INCLUDING ALL NOVEL AND PATENTABLE FEATURES SEPARATELY OR COLLECTIVELY DISCLOSED AND INCLUDED THEREIN ARE THE PROPERTY OF PANASHIELD INC. AND ACCEPTANCE OF THIS PRINT CONSTITUTES AN AGREEMENT THAT IT WILL BE TREATED AS A CONFIDENTIAL DOCUMENT AND WILL BE USED IN THE ASSEMBLY OR OPERATION OF EQUIPMENT FURNISHED BY PANASHIELD INC. THIS DRAWING SHALL NOT BE REPRODUCED, COPIED, LENT, DISCLOSED, PUBLISHED OR DISPOSED OF DIRECTLY OR INDIRECTLY NOR USED FOR ANY PURPOSE OTHER THAN THAT FOR WHICH IT IS SPECIFICALLY FURNISHED EXCEPT AS EXPRESSLY AUTHORIZED IN WRITING BY PANASHIELD INC.

DESCRIPTION : COMPACT ANECHOIC CHAMBER
 CUSTOMER : WEATHERFORD PRODUCTION OPTIMIZATION
 LOCATION : KINGWOOD, TX

SCALE: = 1'-0"

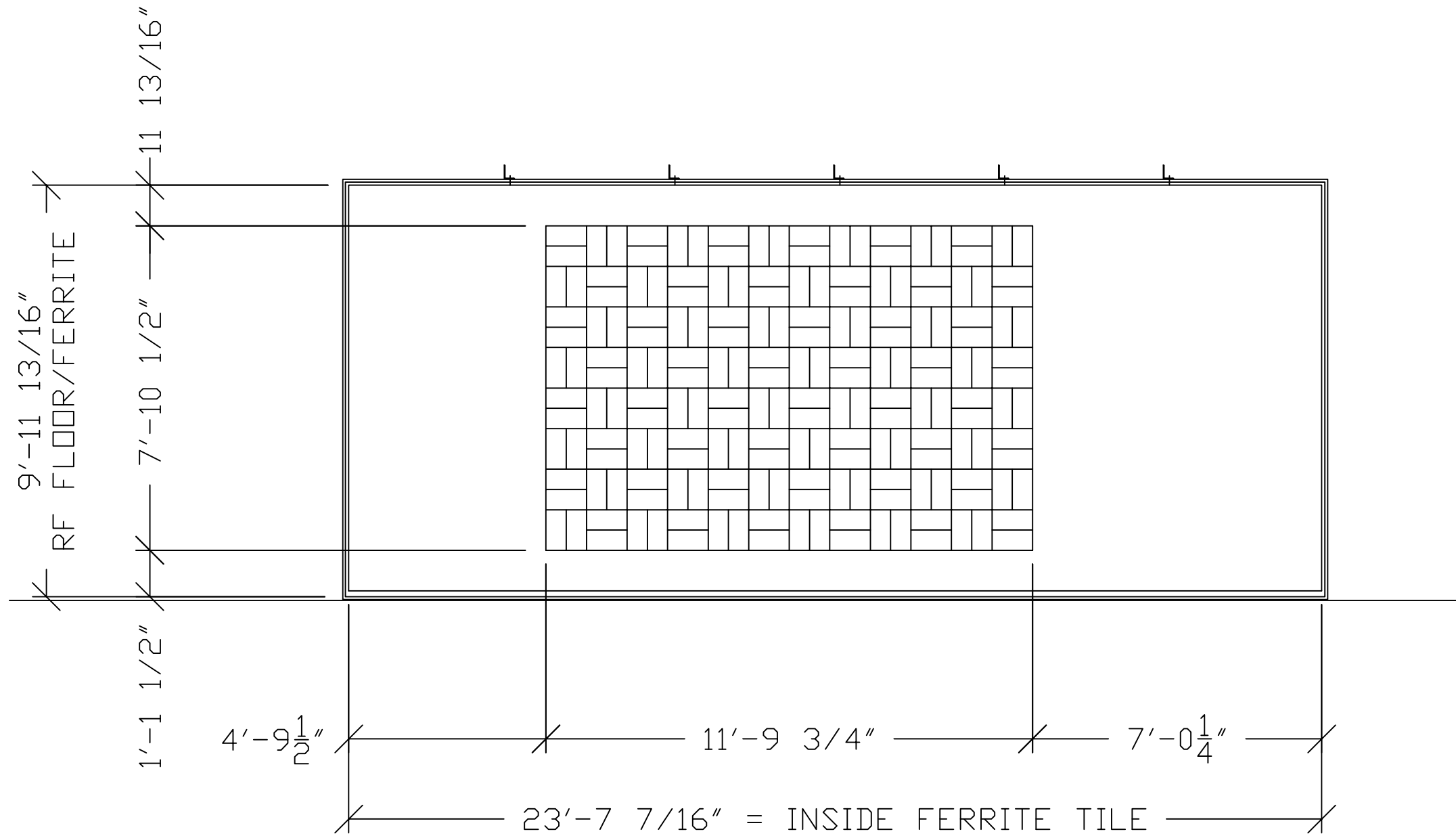
SHEET NUMBER A11 OF 2 REV.
 JOB NUMBER 11-2308-10

CUST'S P.O. NO.

DRAWN BY RTL 11/23/11

CHECKED BY

REV.	REVISION DESCRIPTION	MADE	CHECKED	DATE	REV.	REVISION DESCRIPTION	MADE	CHECKED	DATE	CHECKED BY
1	RELOCATED DOOR, FILTERS, WG VENTS & CONNECTOR PANEL TO OTHER SIDE OF WALL		RTL	11/30/11	3					
2	REVISION LEVEL UPDATE, NO DRAWING CHANGE		RTL	12/1/11	4					



INTERIOR HYBRID TREATMENT ON WALL ELEVATION "A"

[FILENAME=]



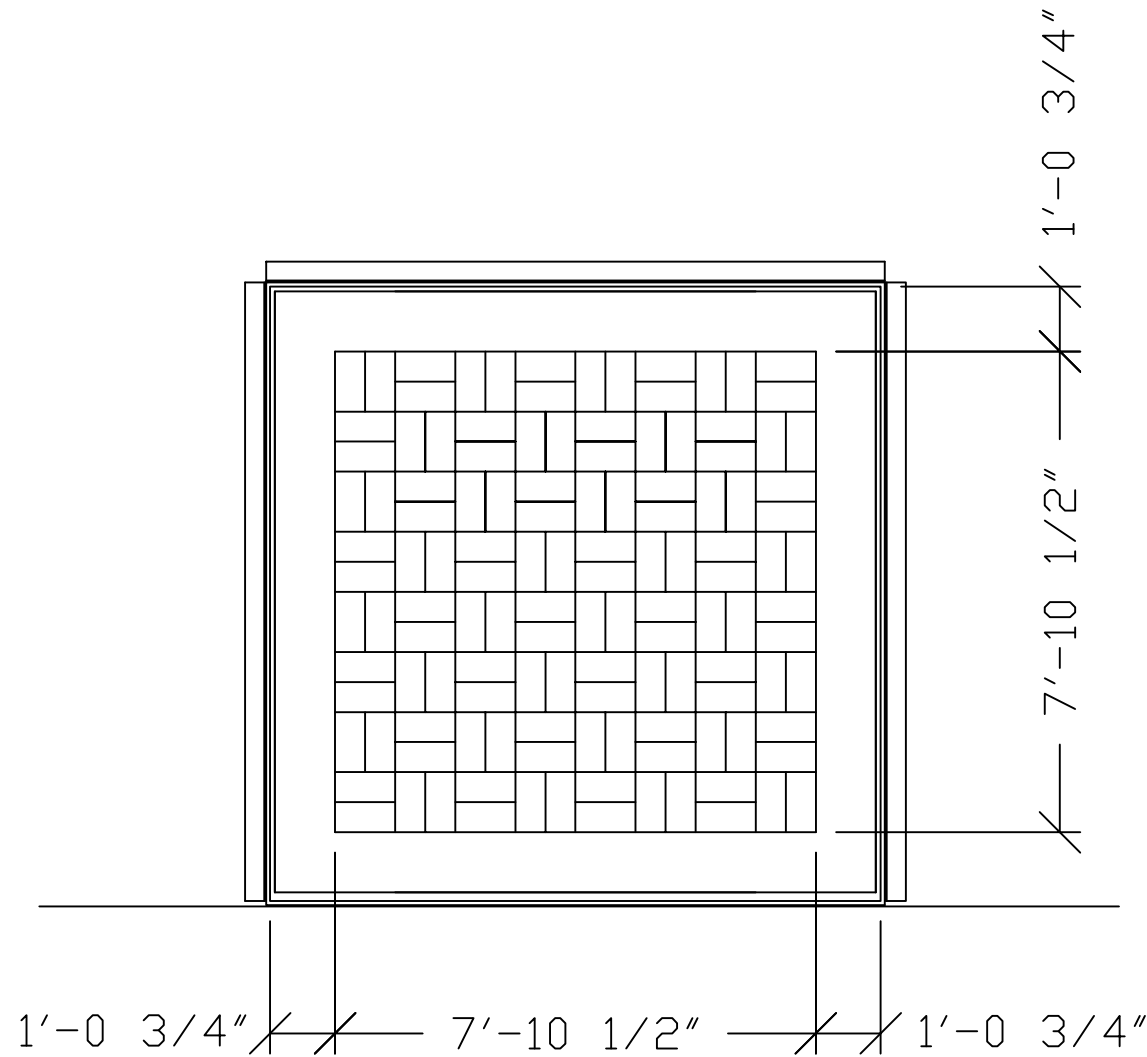
THIS DRAWING AND DESIGN INCLUDING ALL NOVEL AND PATENTABLE FEATURES SEPARATELY OR COLLECTIVELY DISCLOSED AND INCLUDED THEREIN ARE THE PROPERTY OF PANASHIELD INC. AND ACCEPTANCE OF THIS PRINT CONSTITUTES AN AGREEMENT THAT IT WILL BE TREATED AS A CONFIDENTIAL DOCUMENT AND WILL BE USED IN THE ASSEMBLY OR OPERATION OF EQUIPMENT PROVIDED BY PANASHIELD INC. REPRODUCTION, COPIED, LENT, DIRECTLY OR INDIRECTLY OR DISPOSED OF FOR ANY PURPOSE OTHER THAN THAT FOR WHICH IT IS SPECIFICALLY FURNISHED EXCEPT AS EXPRESSLY AUTHORIZED IN WRITING BY PANASHIELD INC.

DESCRIPTION : COMPACT ANECHOIC CHAMBER
 CUSTOMER : WEATHERFORD PRODUCTION OPTIMIZATION
 LOCATION : KINGWOOD, TX

SCALE: = 1'-0"

REV.	REVISION DESCRIPTION	MADE	CHECKED	DATE	REV.	REVISION DESCRIPTION	MADE	CHECKED	DATE	CHECKED BY	CUST'S P.O. NO.
1	REVISION LEVEL UPDATE, NO DRAWING REVISION	RTL		11/30/11	3						
2	REVISED ABSORBER LOCATION	RTL		12/1/11	4					RTL 11/23/11	

SHEET NUMBER A12 OF	2 REV.
JOB NUMBER 11-2308-10	



INTERIOR HYBRID TREATMENT ON WALL ELEVATION "D"

[FILENAME=]

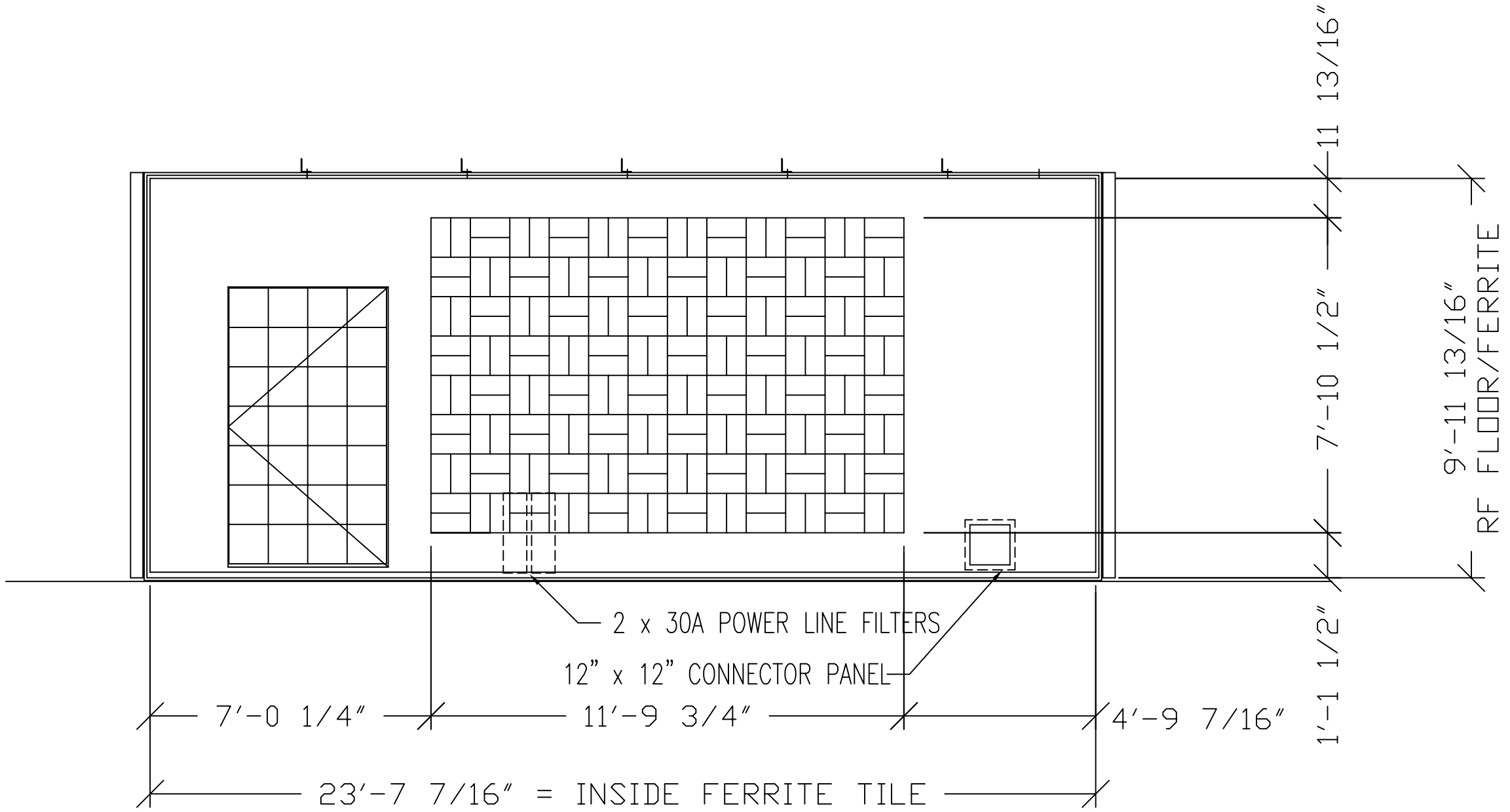
PANASHIELD
 INC.
 RF Shielding / Anechoic Systems & Services
 185 W. NORWALK RD., NORWALK, CT 06850 (USA)
 TEL: 203-866-5888 FAX: 203-866-6162

THIS DRAWING AND DESIGN INCLUDING ALL NOVEL AND PATENTABLE FEATURES SEPARATELY OR COLLECTIVELY DISCLOSED AND INCLUDED THEREIN ARE THE PROPERTY OF PANASHIELD INC. AND ACCEPTANCE OF THIS PRINT CONSTITUTES AN AGREEMENT THAT IT WILL BE TREATED AS A CONFIDENTIAL DOCUMENT AND WILL BE USED IN THE ASSEMBLY OR REPAIR OF EQUIPMENT. THIS DRAWING SHALL NOT BE REPRODUCED, COPIED, LENT, DISCLOSED, PUBLISHED OR DISPOSED OF DIRECTLY OR INDIRECTLY NOR USED FOR ANY PURPOSE OTHER THAN THAT FOR WHICH IT IS SPECIFICALLY FURNISHED EXCEPT AS EXPRESSLY AUTHORIZED IN WRITING BY PANASHIELD INC.

DESCRIPTION : COMPACT ANECHOIC CHAMBER
 CUSTOMER : WEATHERFORD PRODUCTION OPTIMIZATION
 LOCATION : KINGWOOD, TX

SCALE: = 1'-0"
 SHEET NUMBER A13 OF 2 REV.
 JOB NUMBER 11-2308-10

REV.	REVISION DESCRIPTION	MADE	CHECKED	DATE	REV.	REVISION DESCRIPTION	MADE	CHECKED	DATE	CHECKED BY	CUST'S P.O. NO.
1	REVISION LEVEL UPDATE, NO DRAWING CHANGE	RTL		11/30/11	3						
2	CHANGED WALL DESIGNATION FROM "B" TO "D"	RTL		12/1/11	4					RTL 11/23/11	



INTERIOR HYBRID TREATMENT ON WALL ELEVATION "C"

[FILENAME=]

THIS DRAWING AND DESIGN INCLUDING ALL NOVEL AND PATENTABLE FEATURES SEPARATELY OR COLLECTIVELY DISCLOSED AND INCLUDED THEREIN ARE THE PROPERTY OF PANASHIELD INC. AND ACCEPTANCE OF THIS PRINT CONSTITUTES AN AGREEMENT THAT IT WILL BE TREATED AS A CONFIDENTIAL DOCUMENT AND WILL BE USED IN THE ASSEMBLY OR PACKAGING OF EQUIPMENT DRAWING BY OR FOR PANASHIELD INC. PANASHIELD SHALL NOT BE REPRODUCED, COPIED, LENT, DISCLOSED, PUBLISHED OR USED FOR ANY PURPOSE OTHER THAN THAT FOR WHICH IT IS SPECIFICALLY FURNISHED EXCEPT AS EXPRESSLY AUTHORIZED IN WRITING BY PANASHIELD INC.

DESCRIPTION : COMPACT ANECHOIC CHAMBER
 CUSTOMER : WEATHERFORD PRODUCTION OPTIMIZATION
 LOCATION : KINGWOOD, TX

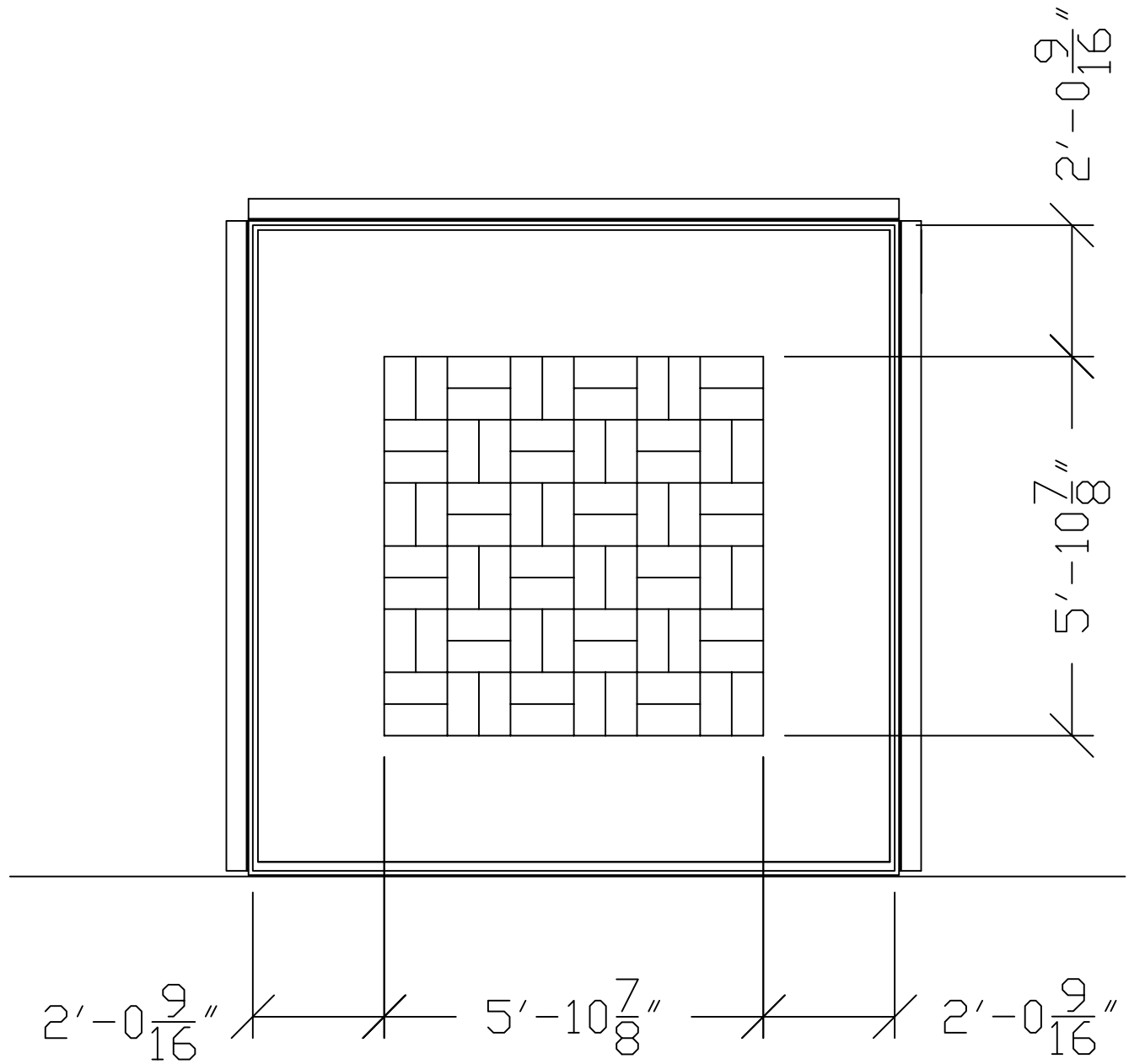
SCALE: = 1'-0"

SHEET NUMBER A14 OF 2 REV.
 JOB NUMBER 11-2308-10

PANASHIELD INC.
 RF Shielding / Anechoic Systems & Services
 165 W. NORWALK RD., NORWALK, CT 06850 (USA)
 TEL: 203-666-5688 FAX: 203-666-6162

REV.	REVISION DESCRIPTION	MADE	CHECKED	DATE	REV.	REVISION DESCRIPTION	MADE	CHECKED	DATE	CHECKED BY	CUST'S P.O. NO.
1	RELOCATED DOOR, FILTERS & CONNECTOR PANEL TO THE OTHER SIDE OF THE WALL	RTL		11/30/11	3						
2	REVISED ABSORBER LAYOUT	RTL		12/1/11	4					RTL 11/23/11	

INTERIOR HYBRID TREATMENT ON WALL ELEVATION "B"



[FILENAME=]

DESCRIPTION : COMPACT ANECHOIC CHAMBER
 CUSTOMER : WEATHERFORD PRODUCTION OPTIMIZATION
 LOCATION : KINGWOOD, TX

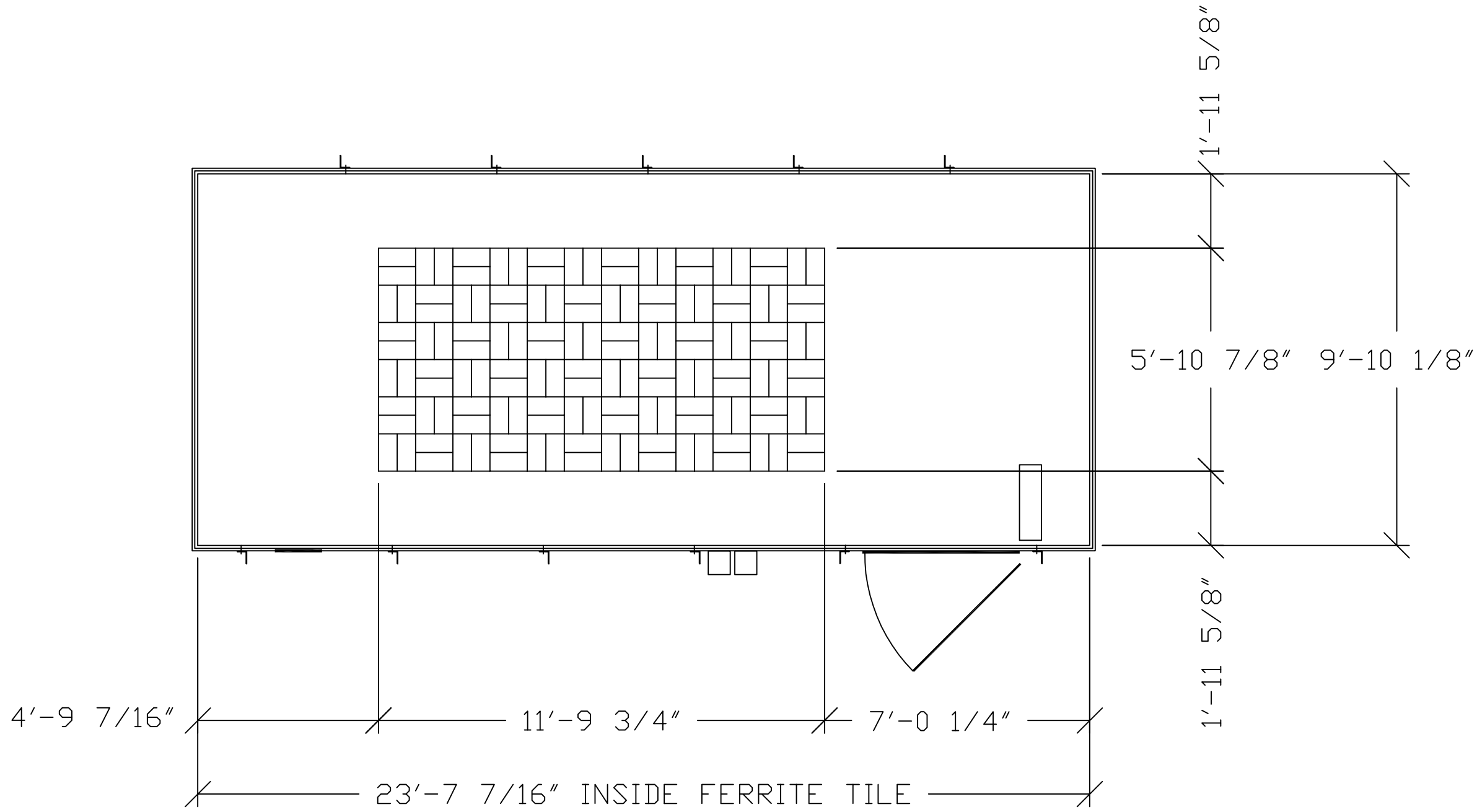
SCALE: = 1'-0"

SHEET NUMBER
 A15 OF 2
 REV.
 JOB NUMBER
 11-2308-10

THIS DRAWING AND DESIGN INCLUDING ALL NOVEL AND PATENTABLE FEATURES SEPARATELY OR COLLECTIVELY DISCLOSED AND INCLUDED THEREIN ARE THE PROPERTY OF PANASHIELD INC. AND ACCEPTANCE OF THIS PRINT CONSTITUTES AN AGREEMENT THAT IT WILL BE TREATED AS A CONFIDENTIAL DOCUMENT AND WILL BE USED IN THE ASSEMBLY OR OPERATION OF EQUIPMENT DRAWING SHALL NOT BE REPRODUCED, COPIED, LENT, DISCLOSED, PUBLISHED OR DISPOSED OF DIRECTLY OR INDIRECTLY NOR USED FOR ANY PURPOSE OTHER THAN THAT FOR WHICH IT IS SPECIFICALLY FURNISHED EXCEPT AS EXPRESSLY AUTHORIZED IN WRITING BY PANASHIELD INC.

PANASHIELD
 INC.
 RF Shielding / Anechoic Systems & Services
 185 W. NORWALK RD., NORWALK, CT 06850 (USA)
 TEL: 203-866-5888 FAX: 203-866-6162

REV.	REVISION DESCRIPTION	MADE	CHECKED	DATE	REV.	REVISION DESCRIPTION	MADE	CHECKED	DATE	CUST'S P.O. NO.	DRAWN BY	CHECKED BY
1	REVISION LEVEL UPDATE, NO DRAWING CHANGE	RTL	11/30/11		3							
2	CHANGED WALL DESIGNATION FROM "D" TO "B"	RTL	12/1/11		4						RTL 11/23/11	



HYBRID ABSORBER CEILING LAYOUT

[FILENAME=]

ANASHIELD
INC.
RF Shielding / Anechoic Systems & Services
185 W. NORWALK RD., NORWALK, CT. 06850 (USA)
TEL: 203-866-6888 FAX: 203-866-6162

THIS DRAWING AND DESIGN INCLUDING ALL NOVEL AND PATENTABLE FEATURES SEPARATELY OR COLLECTIVELY DISCLOSED AND INCLUDED THEREIN ARE THE PROPERTY OF PANASHIELD INC. AND ACCEPTANCE OF THIS PRINT CONSTITUTES AN AGREEMENT THAT IT WILL BE TREATED AS A CONFIDENTIAL DOCUMENT AND WILL BE USED IN THE ASSEMBLY OR OPERATION OF EQUIPMENT PURCHASED BY OR FOR THE CUSTOMER. REPRODUCING SHALL NOT BE PERMITTED WITHOUT WRITTEN PERMISSION FROM PANASHIELD INC. COPIES SENT, DIRECTLY OR INDIRECTLY OR USED FOR ANY PURPOSE OTHER THAN THAT FOR WHICH IT IS SPECIFICALLY FURNISHED EXCEPT AS EXPRESSLY AUTHORIZED IN WRITING BY PANASHIELD INC.

DESCRIPTION : COMPACT ANECHOIC CHAMBER
WEATHERFORD PRODUCTION
CUSTOMER : OPTIMIZATION
LOCATION : KINGWOOD, TX

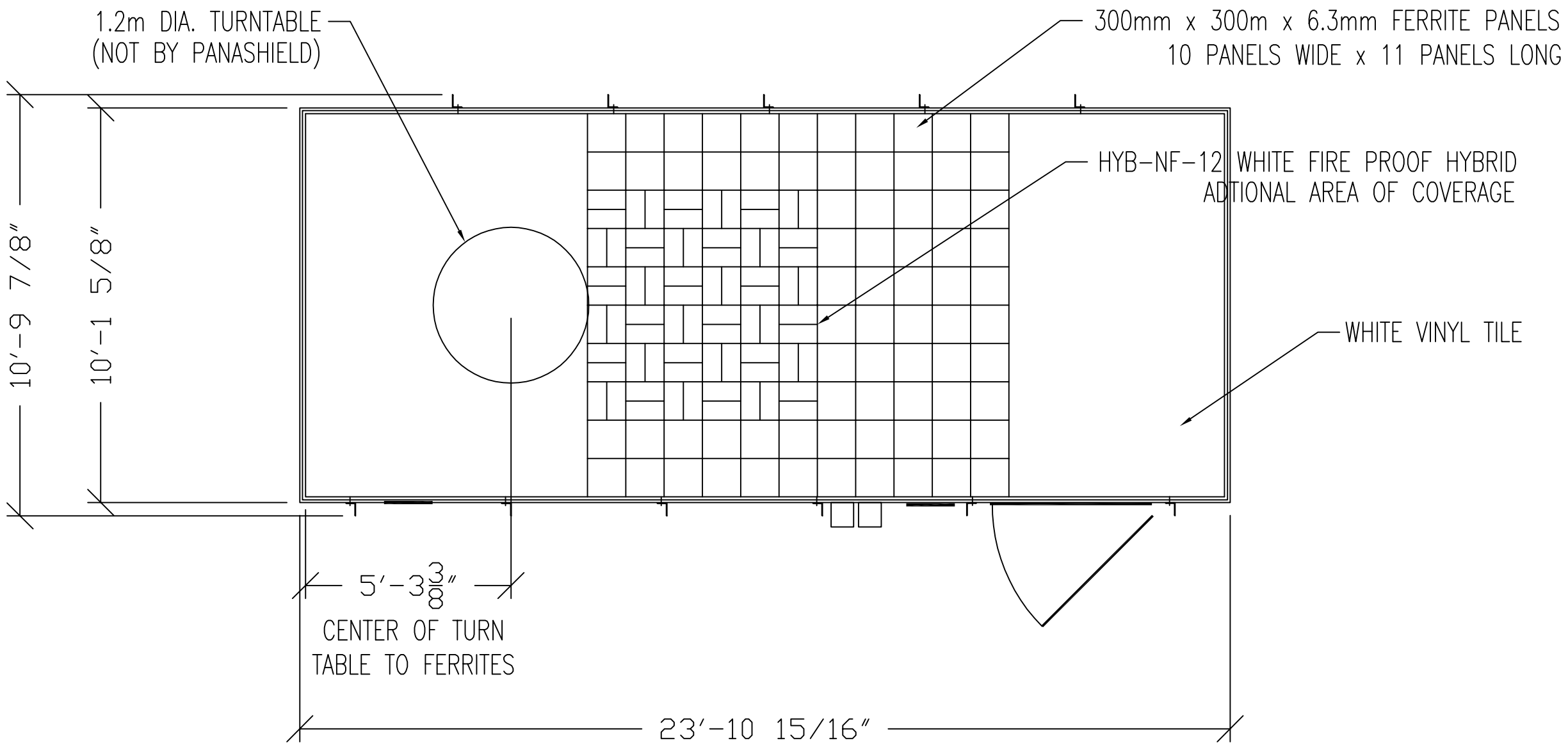
SCALE: = 1'-0"

REV.	REVISION DESCRIPTION	MADE	CHECKED	DATE	REV.	REVISION DESCRIPTION	MADE	CHECKED	DATE	CHECKED BY	CUST'S P.O. NO.	SHEET NUMBER	2
1	RELOCATED DOOR, FILTERS & CONNECTOR PANEL TO THE OTHER SIDE OF THE WALL	RTL		11/30/11	3							A16	OF
2	REVISED ABSORBER LOCATION	RTL		12/1/11	4					RTL 11/23/11		JOB NUMBER	REV.
												11-2308-10	

THIS DRAWING AND DESIGN INCLUDING ALL NOVEL AND PATENTABLE FEATURES SEPARATELY OR COLLECTIVELY DISCLOSED AND INCLUDED THEREIN ARE THE PROPERTY OF PANASHIELD INC. AND ACCEPTANCE OF THIS PRINT CONSTITUTES AN AGREEMENT THAT IT WILL BE TREATED AS A CONFIDENTIAL DOCUMENT AND WILL BE USED IN THE ASSEMBLY OR OPERATION OF EQUIPMENT FURNISHED BY PANASHIELD INC. REPRODUCTION, COPIED, LENT, DISCLOSED, PUBLISHED OR, DISPOSED OF DIRECTLY OR INDIRECTLY NOR USED FOR ANY PURPOSE OTHER THAN THAT FOR WHICH IT IS SPECIFICALLY FURNISHED EXCEPT AS EXPRESSLY AUTHORIZED IN WRITING BY PANASHIELD INC.

DESCRIPTION : COMPACT ANECHOIC CHAMBER
 WEATHERFORD PRODUCTION
 CUSTOMER : OPTIMIZATION
 LOCATION : KINGWOOD, TX

SCALE: = 1'-0"
 SHEET NUMBER A17 OF 2 REV.
 JOB NUMBER 11-2308-10

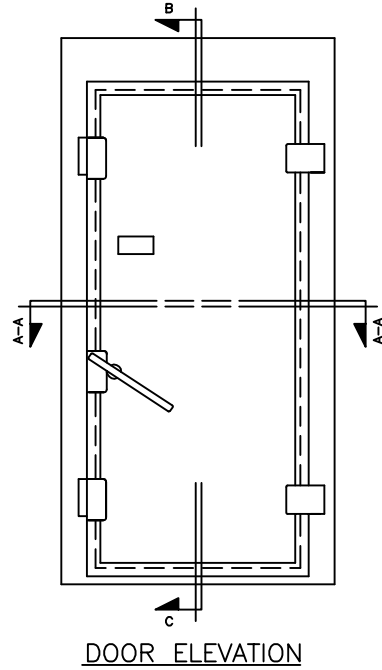


FLOOR ABSORBER, EQUIPMENT, & FINISH PLAN

[FILENAME=]

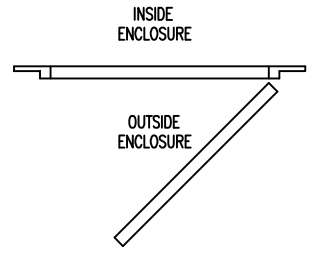
REV.	REVISION DESCRIPTION	MADE	CHECKED	DATE	REV.	REVISION DESCRIPTION	MADE	CHECKED	DATE
1	RELOCATED DOOR, FILTERS & CONNECTOR PANEL TO THE OTHER SIDE OF THE WALL	RTL		11/30/11	3				
2	RECONFIGURED ABSORBER & TURNTABLE LOCATION	RTL		12/1/11	4				

CUST'S P.O. NO.		SHEET NUMBER	
		A17 OF 2	
DRAWN BY	RTL	JOB NUMBER	
	11/23/11	11-2308-10	
CHECKED BY		REV.	



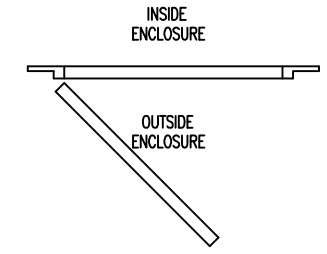
CLEAR OPENING = 4' x 7'

QUANTITY OF REQUIRED



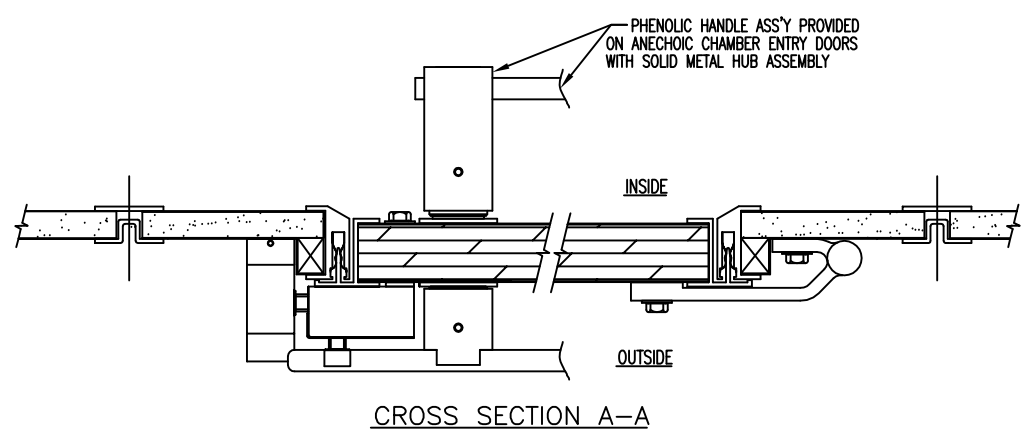
RHR - RIGHT HAND REVERSE

QUANTITY OF REQUIRED



LHR - LEFT HAND REVERSE

ENTER A QUANTITY FOR EACH DOOR SWING ILLUSTRATED.
THIS PROJECT HAS A TOTAL OF DOORS REQUIRED.



RCM SINGLE DOOR DETAIL

[FILENAME=]

ANASHIELD
 INC.
 RF Shielding / Anechoic Systems & Services
 185R WEST NORWALK RD, NORWALK, CT, 06854 (USA)
 TEL: 203-866-5888 FAX: 203-866-8162

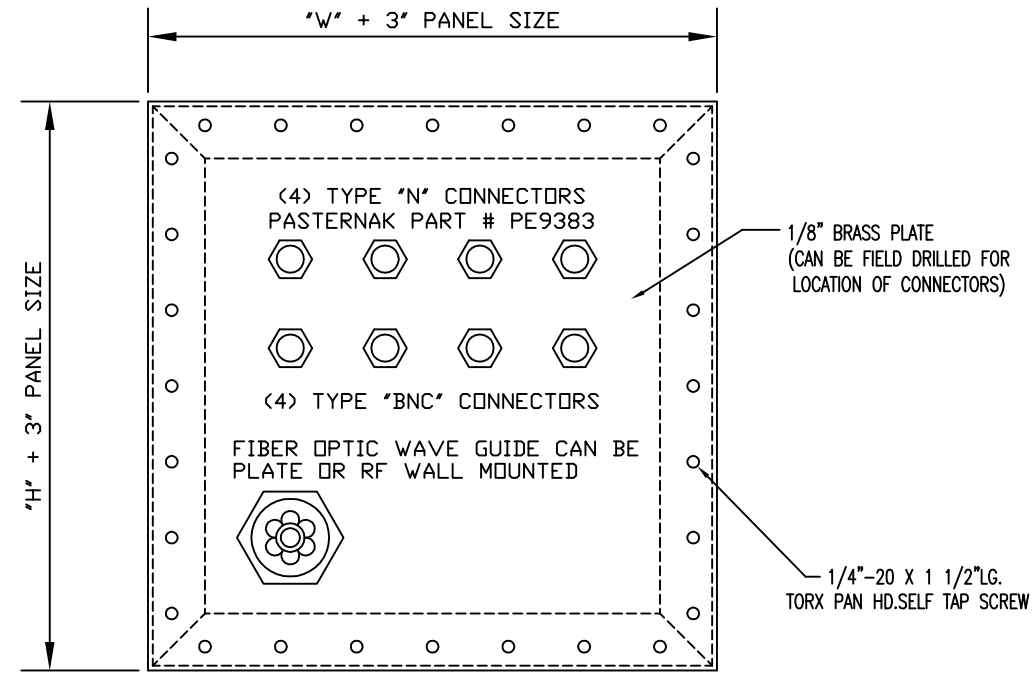
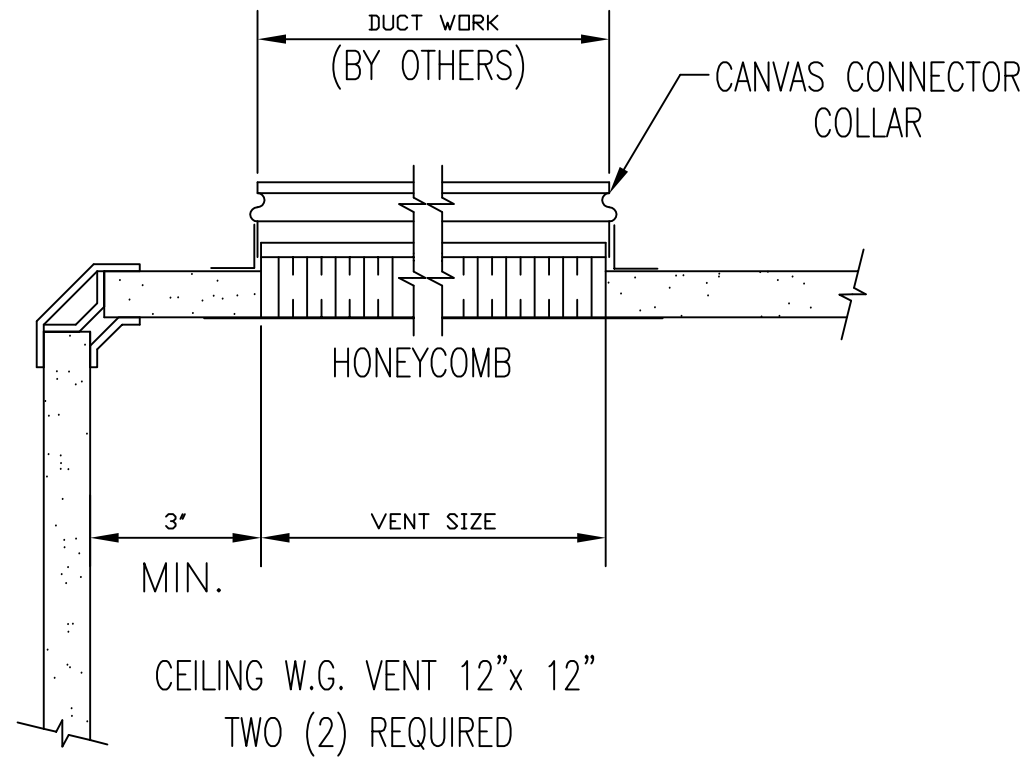
THIS DRAWING AND DESIGN INCLUDING ALL NOVEL AND PATENTABLE FEATURES SEPARATELY OR COLLECTIVELY DISCLOSED AND INCLUDED THEREIN ARE THE PROPERTY OF PANASHIELD INC. AND ACCEPTANCE OF THIS PRINT CONSTITUTES AN AGREEMENT THAT IT WILL BE TREATED AS A CONFIDENTIAL DOCUMENT AND WILL BE USED IN THE ASSEMBLY OR REPAIR OF EQUIPMENT DRAWING SHALL NOT BE REPRODUCED, COPIED, LENT, DISCLOSED, PUBLISHED OR DISPOSED OF DIRECTLY OR INDIRECTLY NOR USED FOR ANY PURPOSE OTHER THAN THAT FOR WHICH IT IS SPECIFICALLY FURNISHED EXCEPT AS EXPRESSLY AUTHORIZED IN WRITING BY PANASHIELD INC.

DESCRIPTION : R.F. SHIELDED ENCLOSURE
 DOOR SECTIONS & SWINGS
 CUSTOMER : WEATHERFORD PRODUCTION
 OPTIMIZATION
 LOCATION : KINGWOOD, TX

SCALE: = 1'-0"

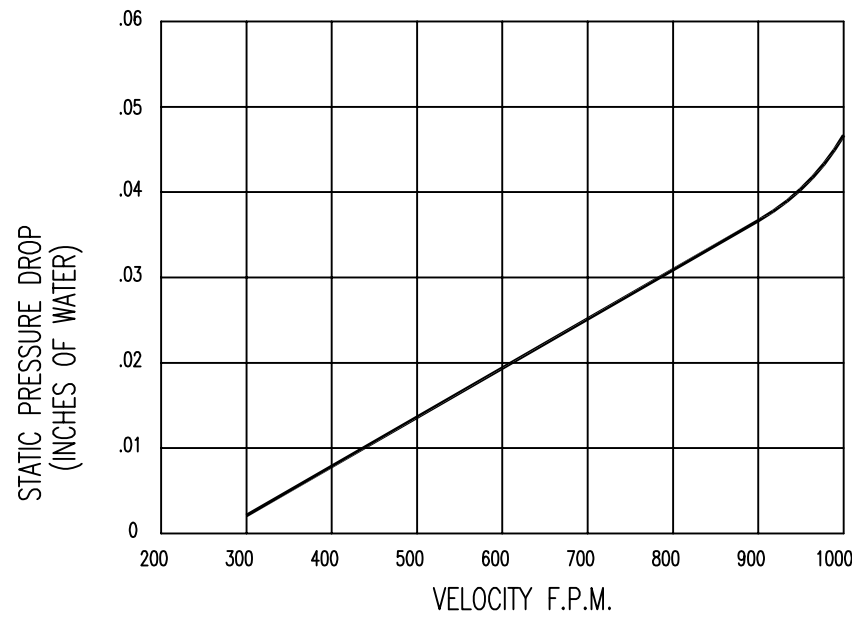
SHEET NUMBER		2
A18 of		REV.
JOB NUMBER		
11-2308-10		

REV.	REVISION DESCRIPTION	MADE	CHECKED	DATE	REV.	REVISION DESCRIPTION	MADE	CHECKED	DATE	CUST'S P.O. NO.
1	REVISED DOOR SWING		RTL	11/30/11	3					
2	REVISION LEVEL UPDATE, NO DRAWING CHANGE		RTL	12/1/11	4					



CONNECTORS ILLUSTRATED ABOVE ARE FOR REFERENCE
ONLY ACTUAL QUANTITIES & TYPES WERE NOT PROVIDED

WAVEGUIDE VENT AT CEILING



ONE REQUIRED →

W	H	PANEL SIZE	HOLE SIZE
6"	12"	9" X 15"	8" X 14"
12"	12"	15" X 15"	14" X 14"
12"	18"	15" X 21"	14" X 20"
18"	18"	21" X 21"	20" X 20"
12"	24"	15" X 27"	14" X 26"
18"	24"	21" X 27"	20" X 26"
24"	24"	27" X 27"	26" X 26"

STANDARD CONNECTOR PANELS

PANASHIELD INC.
RF Shielding / Anechoic Systems & Services
185 W. NORWALK RD. #R, NORWALK, CT 06850 (USA)
TEL: 203-866-5888 FAX: 203-866-6162

THIS DRAWING AND DESIGN INCLUDING ALL NOVEL AND PATENTABLE FEATURES SEPARATELY OR COLLECTIVELY DISCLOSED AND INCLUDED THEREIN ARE THE PROPERTY OF PANASHIELD INC. AND ACCEPTANCE OF THIS PRINT CONSTITUTES AN AGREEMENT THAT IT WILL BE TREATED AS A CONFIDENTIAL DOCUMENT AND WILL BE USED ONLY IN THE ASSEMBLY AND MAINTENANCE OF THE EQUIPMENT SPECIFIED IN THIS DRAWING. IT SHALL NOT BE REPRODUCED, COPIED, LENT, DISCLOSED, PUBLISHED OR USED FOR ANY PURPOSE OTHER THAN THAT FOR WHICH IT IS SPECIFICALLY FURNISHED EXCEPT AS EXPRESSLY AUTHORIZED IN WRITING BY PANASHIELD INC.

DESCRIPTION : WAVE GUIDE VENT AND CONNECTOR PANEL DETAIL
CUSTOMER : WEATHERFORD PRODUCTION OPTIMIZATION
LOCATION : KINGWOOD, TX

[FILENAME=]

SCALE: = 1'-0"

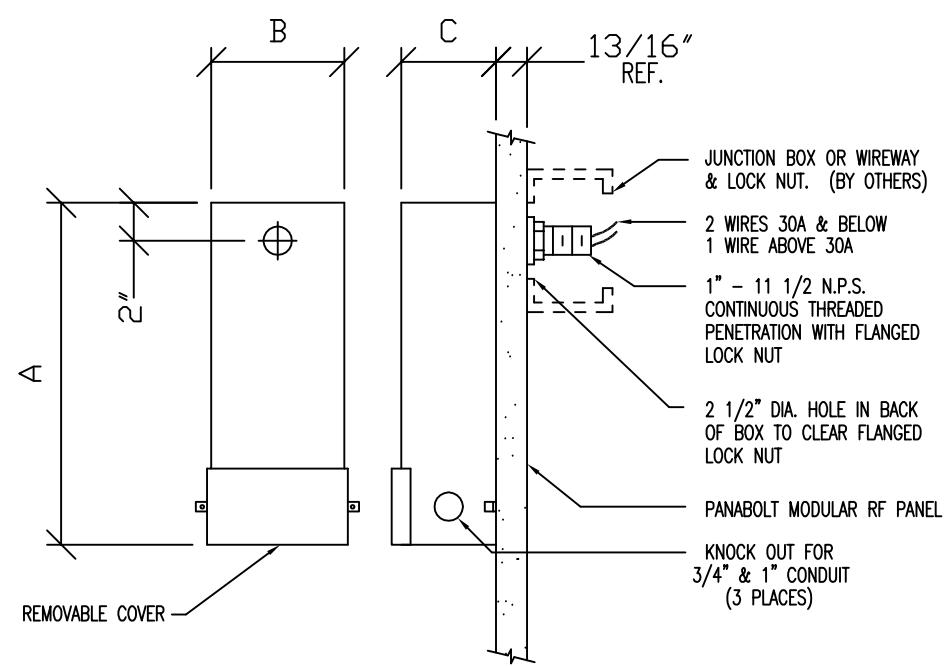
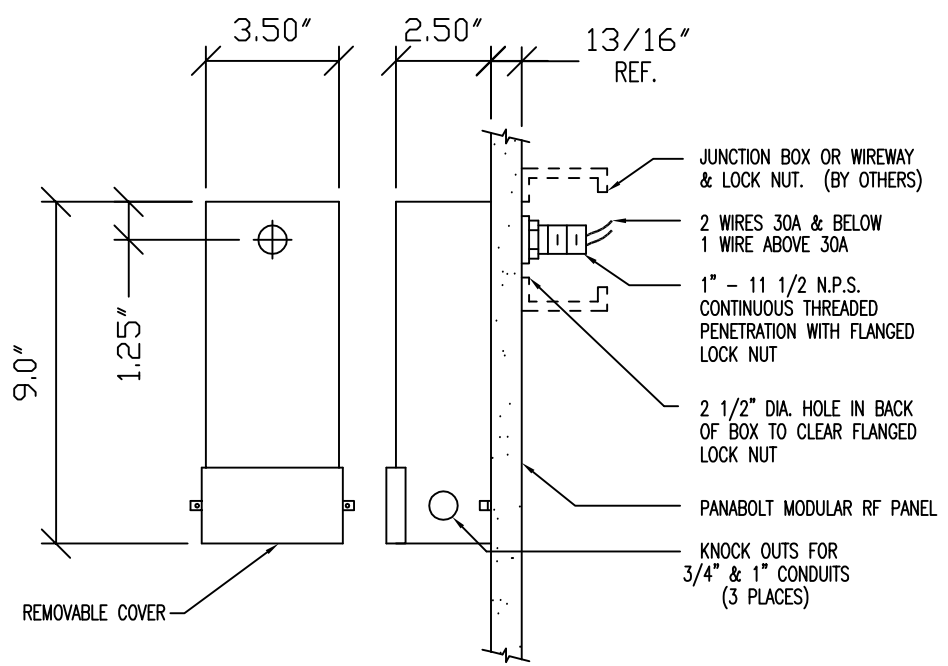
REV.	REVISION DESCRIPTION	MADE	CHECKED	DATE	REV.	REVISION DESCRIPTION	MADE	CHECKED	DATE	CUST'S P.O. NO.	SHEET NUMBER	REV.
1	REVISION LEVEL UPDATE, NO DRAWING CHANGE	RTL		11/30/11	3						A19	2
2	REVISION LEVEL UPDATE, NO DRAWING CHANGE	RTL		12/1/11	4						OF	
											JOB NUMBER	
											11-2308-10	

THIS DRAWING AND DESIGN INCLUDING ALL NOVEL AND PATENTABLE FEATURES SEPARATELY OR COLLECTIVELY DISCLOSED AND INCLUDED THEREIN ARE THE PROPERTY OF PANASHIELD INC. AND ACCEPTANCE OF THIS PRINT CONSTITUTES AN AGREEMENT THAT IT WILL BE TREATED AS A CONFIDENTIAL DOCUMENT AND WILL BE USED IN THE ASSEMBLY OR REPAIR OF EQUIPMENT FOR WHICH IT IS SPECIFICALLY AUTHORIZED IN WRITING BY PANASHIELD INC. COPIES SHALL NOT BE REPRODUCED, COPIED, LENT, DISCLOSED, PUBLISHED OR USED FOR ANY PURPOSE OTHER THAN THAT FOR WHICH IT IS SPECIFICALLY AUTHORIZED BY PANASHIELD INC.

DESCRIPTION : RF, SHIELDED ENCLOSURE
 POWER LINE AND SIGNAL LINE FILTERS
 CUSTOMER : WEATHERFORD PRODUCTION
 OPTIMIZATION
 LOCATION : KINGWOOD, TX

SCALE: = 1'-0"

SHEET NUMBER
 A20 of
 REV. 2
 JOB NUMBER
 11-2308-10



DESCRIPTION	IMPEDANCE (OHMS)	INSERTION LOSS (db)		I (AMP)
		PASS	STOP BAND	
TELEPHONE FILTER (KS20162)	300/600	5kHz	65db, 14kHz 100db, 30kHz - 10GHz	0.16
TELEPHONE FILTER (STD.)	300/600	3kHz	100db, 14kHz - 10GHz	0.5
TELEPHONE FILTER (SPECIAL)	300/600	5kHz	80db, 14kHz - 10GHz	0.5
DATA LINE FILTER (9.6KB)	300/600	28kHz	100db, 200kHz - 10GHz	0.15
DATA LINE FILTER (19.2KB)	50/100	56kHz	100db, 300kHz - 10GHz	0.2
DATA LINE FILTER (56.0KB)	50/100	168kHz	100db, 1MHz - 10GHz	0.2
FIRE ALARM FILTER	N/A	N/A	100db, 14kHz - 10GHz	1.0
** COMMUN./INTERCOM FILTER	22.5/45	3kHz	100db, 14kHz - 10GHz	0.5
CONTROL LINE FILTER (1.0A)	N/A	N/A	100db, 14kHz - 10GHz	1.0
CONTROL LINE FILTER (3.0A)	N/A	N/A	100db, 14kHz - 10GHz	3.0
CONTROL LINE FILTER (5.0A)	N/A	N/A	100db, 14kHz - 10GHz	5.0

THESE FILTERS ARE USED FOR AC OR DC APPLICATION UP TO AND INCLUDING 125 VAC/400 VDC
 ** THIS FILTER IS USED FOR AC OR DC APPLICATION UP TO AND INCLUDING 50 VAC/100 VDC

DATA/COMMUNICATIONS FILTERS

DATA/COMMUNICATION FILTERS NOT REQUIRED FOR THIS PROJECT

ONE REQUIRED →
 TWO REQUIRED →

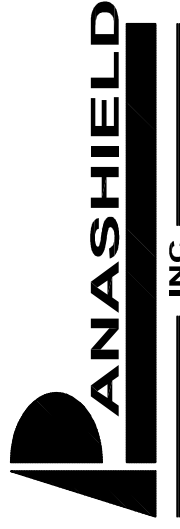
DESCRIPTION	FREQUENCY	MAXIMUM VOLTAGE	A	B	C	COMMENTS
2 x 5A POWER LINE FILTER	0-60 Hz	277/480 VAC	21"	4"	6"	U.L. LISTED #10 WIRE
2 x 30A POWER LINE FILTER	0-60 Hz	277/480 VAC	22 1/2"	8"	6"	U.L. LISTED #6 WIRE
60A POWER LINE FILTER	0-60 Hz	277 VAC	32"	8"	6"	U.L. LISTED #6 WIRE
100A POWER LINE FILTER	0-60 Hz	277 VAC	34"	8"	6"	U.L. LISTED #2 WIRE
225A POWER LINE FILTER	0-60 Hz	277 VAC	41"	10"	6"	U.L. LISTED 250 MCM WIRE

FILTER SPECIFICATIONS
 INSERTION LOSS: 100 dB FROM 14 kHz TO 10 GHz WHEN MEASURED PER MIL-STD-220A UNDER LOAD CONDITION.
 EXTENDED RANGE: 100 dB FROM 14 kHz DOWN TO 10 kHz

FACILITY AND POWER LINE FILTERS

[FILENAME=]

REV.	REVISION DESCRIPTION	MADE	CHECKED	DATE	REV.	REVISION DESCRIPTION	MADE	CHECKED	DATE	CHECKED BY	CUST'S P.O. NO.	SHEET NUMBER	REV.
1	REVISION LEVEL UPDATE, NO DRAWING CHANGE		RTL	11/30/11	3							A20 of	2
2	REVISION LEVEL UPDATE, NO DRAWING CHANGE		RTL	12/1/11	4					RTL 11/23/11		JOB NUMBER	
												11-2308-10	



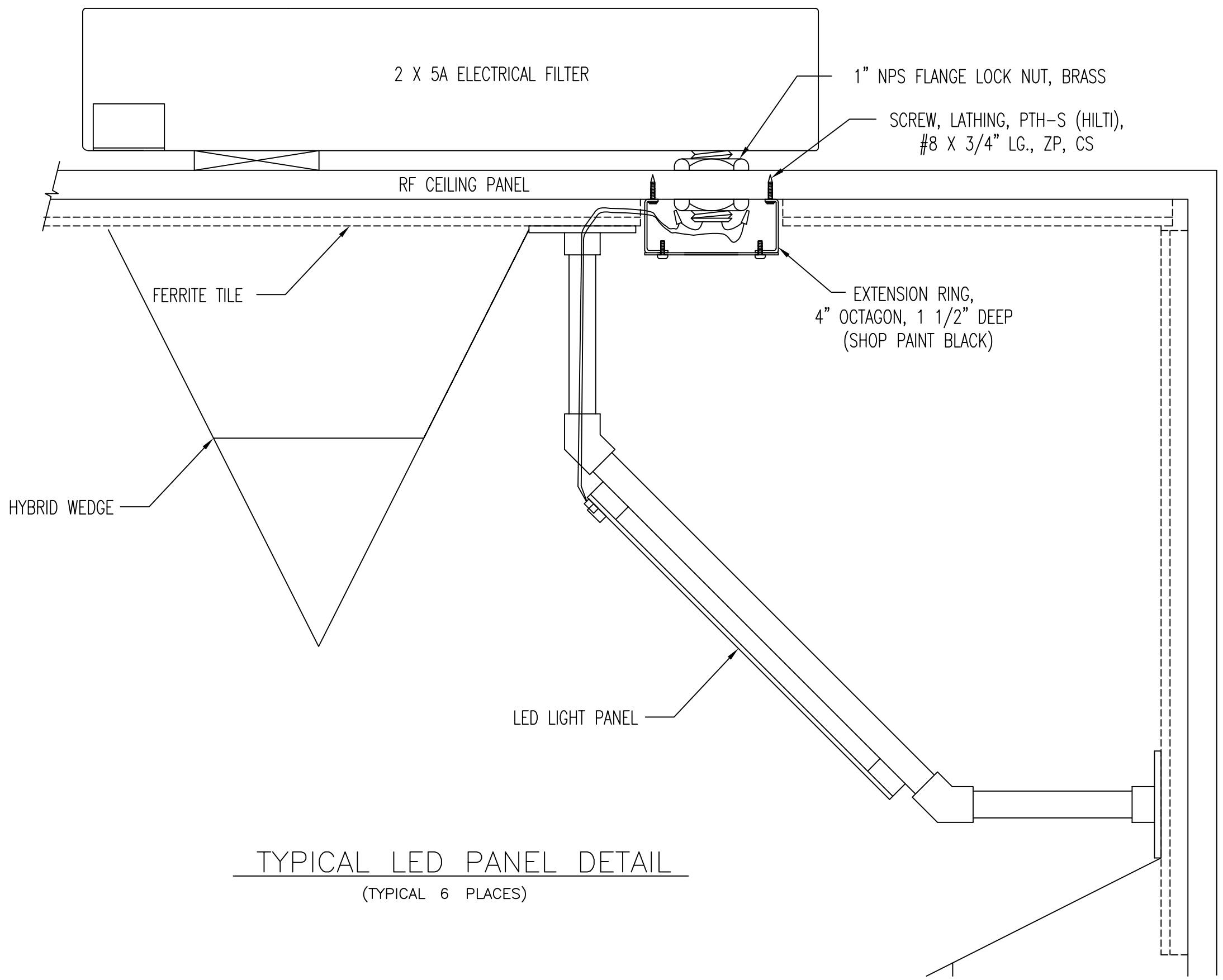
ANASHIELD
INC.
 RF Shielding / Anechoic Systems & Services
 185 W. NORWALK RD. #R, NORWALK, CT. 06850 (USA)
 TEL: 203-866-6888 FAX: 203-866-6182

THIS DRAWING AND DESIGN INCLUDING ALL NOVEL AND PATENTABLE FEATURES SEPARATELY OR COLLECTIVELY DISCLOSED AND INCLUDED THEREIN ARE THE PROPERTY OF PANASHIELD INC. AND ACCEPTANCE OF THIS PRINT CONSTITUTES AN AGREEMENT THAT IT WILL BE TREATED AS A CONFIDENTIAL DOCUMENT AND WILL BE USED IN THE ASSEMBLY OR OPERATION OF EQUIPMENT PURSUING TO THE DESIGN OF WHICH IT IS SPECIFICALLY AUTHORIZED IN WRITING BY PANASHIELD INC. SHALL NOT BE REPRODUCED, COPIED, LENT, DISCLOSED, PUBLISHED OR USED FOR ANY PURPOSE OTHER THAN THAT FOR WHICH IT IS SPECIFICALLY FURNISHED EXCEPT AS EXPRESSLY AUTHORIZED IN WRITING BY PANASHIELD INC.

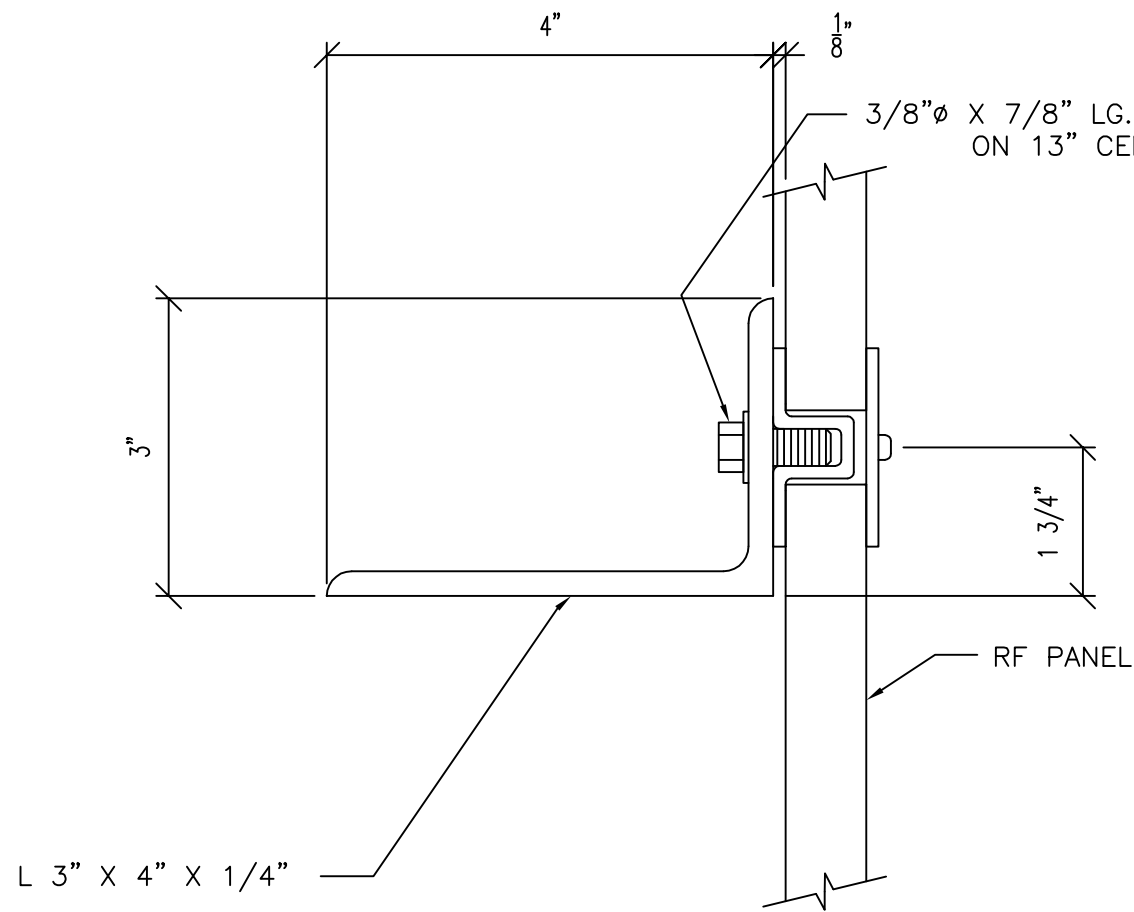
DESCRIPTION : COMPACT ANECHOIC CHAMBER
 CUSTOMER : WEATHERFORD PRODUCTION OPTIMIZATION
 LOCATION : KINGWOOD, TX

SCALE: = 1'-0"

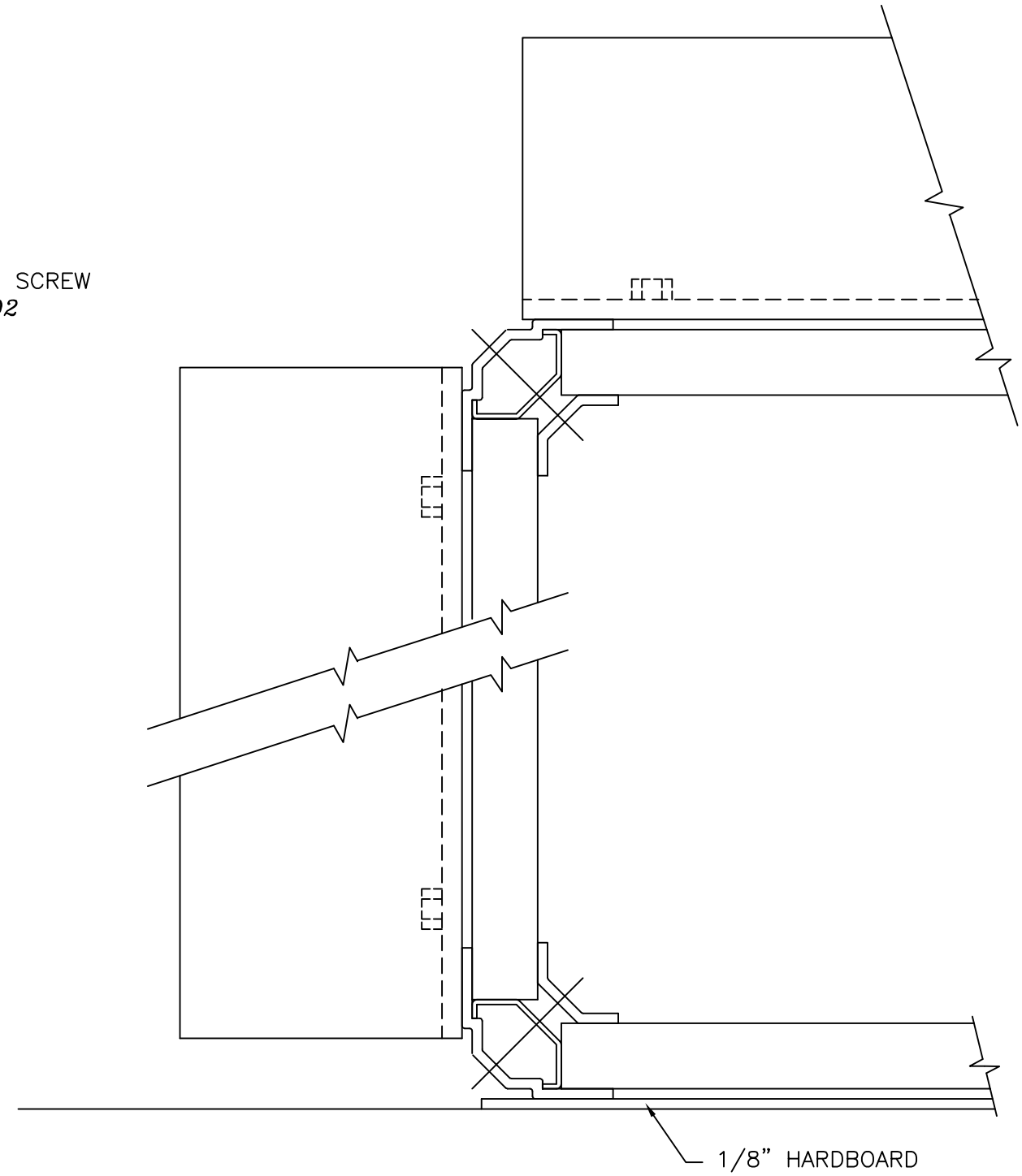
SHEET NUMBER 2
 A21 OF REV.
 JOB NUMBER 07-1120-1



REV.	REVISION DESCRIPTION	MADE	CHECKED	DATE	REV.	REVISION DESCRIPTION	MADE	CHECKED	DATE	CUST'S P.O. NO.	CHECKED BY
1	CORRECTED TITLE BLOCK & LIGHT QUANTITIES		RTL	11/30/11	3						
2	REVISION LEVEL UPDATE, NO DRAWING CHANGE		RTL	12/1/11	4						RTL 11/24/11



SECTION THRU ANGLE BRACE
 (TYPICAL 15 PLACES ON WALLS)
 (TYPICAL 5 PLACES ON CEILING)



WALL & CEILING ANGLE DETAIL

**FREE STANDING
 WALL STRUCTURAL SUPPORT SYSTEM**

[FILENAME=]

NOTE:
 ALL STRUCTURE TO BE FINISHED
 WITH ONE COAT OF "HOLLAND TILE"
 BLUE PAINT OR GALVINIZED.

PANASHIELD
 INC.
 Rf Shielding / Anechoic Systems & Services
 185 W. NORWALK RD. #R, NORWALK, CT, 06850 (USA)
 TEL: 203-666-5888 FAX: 203-666-6162

THIS DRAWING AND DESIGN INCLUDING ALL NOVEL AND PATENTABLE FEATURES SEPARATELY OR COLLECTIVELY DISCLOSED AND INCLUDED THEREIN ARE THE PROPERTY OF PANASHIELD INC. AND ACCEPTANCE OF THIS PRINT CONSTITUTES AN AGREEMENT THAT IT WILL BE TREATED AS A CONFIDENTIAL DOCUMENT AND WILL BE USED IN THE ASSEMBLY OR OPERATION OF EQUIPMENT FURNISHED BY PANASHIELD INC. THIS DRAWING SHALL NOT BE REPRODUCED, COPIED, LENT, DISCLOSED, PUBLISHED OR DISPOSED OF DIRECTLY OR INDIRECTLY NOR USED FOR ANY PURPOSE OTHER THAN THAT FOR WHICH IT IS SPECIFICALLY FURNISHED EXCEPT AS EXPRESSLY AUTHORIZED IN WRITING BY PANASHIELD INC.

DESCRIPTION : COMPACT ANECHOIC CHAMBER
 CUSTOMER : WEATHERFORD PRODUCTION OPTIMIZATION
 LOCATION : KINGWOOD, TX

SCALE: = 1'-0"

REV.	REVISION DESCRIPTION	MADE	CHECKED	DATE	REV.	REVISION DESCRIPTION	MADE	CHECKED	DATE	CHECKED BY	CUST'S P.O. NO.	SHEET NUMBER	2
1	REVISION LEVEL UPDATE, NO DRAWING CHANGE	RTL		11/30/11	3							A22	OF
2	REVISION LEVEL UPDATE, NO DRAWING CHANGE	RTL		12/1/11	4					RTL 11/23/11		JOB NUMBER	REV.
												11-2308-10	